

Measure and Display up to **11 Items** Simultaneously

Rugged Outdoor Design

Multi-parameter Water Quality Meters

U-50 Series

5 languages display

English 

Japanese 

Russian 

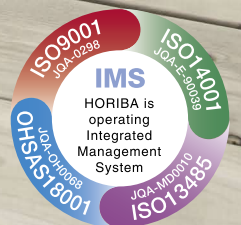
Spanish 

Portuguese 

Multi-parameter Water Quality Meters



CE
CE marking compliant



Measure and Display 11 Parameters Simultaneously with Newly Designed Control Unit and Sensor Technology.

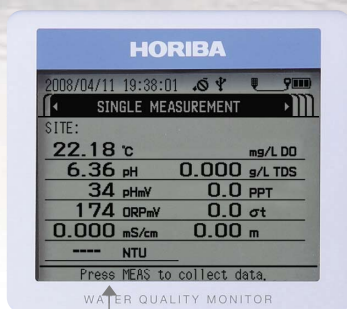
Intuitive software assures ease of use and operation efficiency.

Experience the durability and performance of an instrument that exceeds your expectations in the field testing of ground water and surface water applications.

Measure and Display up to **11 Items** Simultaneously

Control Unit Features:

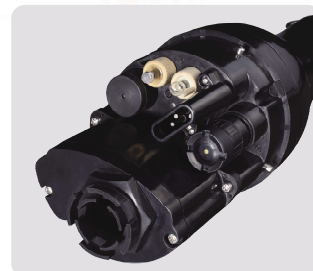
- Easy to read LCD Display
- One-hand operation
- On-screen icon displays battery power and GPS, USB and probe unit connectivity
- Quick-connect connector (cable to control unit)
- Shock resistant cover
- Backlight display



Operating instructions



Rugged Outdoor Design



Sensor Probe Unit Features:

- Turbidity Sensor conforms to US EPA method 180.1 (U-53/U-53G)
- Turbidity Sensor conforms to EN ISO 7027 (U-54/U-54G)
- Minimum dissolved oxygen sensor maintenance with screw-on type membrane cap
- Chemical resistant materials of construction
- Optional ToupH pH electrode* that is difficult to break
- Field replaceable sensors

*Prevents damage during maintenance.



Design and Performance that Makes Measurement Easy in a Variety of Applications



●Measurement at a Drainage Ditch or Wharf

Instantaneously monitor, collect and store data while moving the submersed sensor probe unit.



●Measurement in Marshes

The control unit's waterproof design allows the user to work without concern of splashing or accidentally dropping the control unit in the water. The backlight display allows the user to take measurements in the dark.



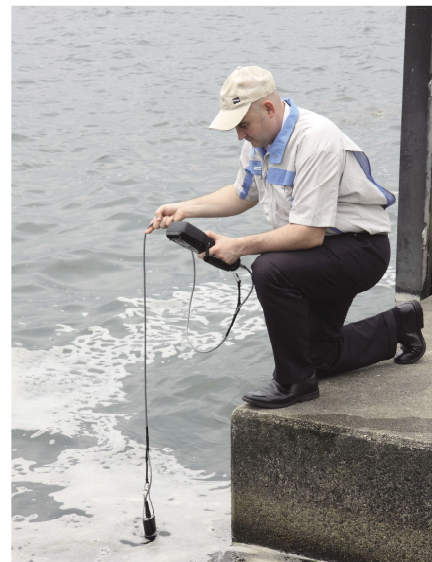
●Measurements in Surface Water

The long 30 meter cable option allows the user to deploy the sensor probe unit and collect measurement data at varying depths. The GPS models facilitate environmental surveys of oceans, lakes and rivers.



●Measuring Ground Water from an Intake

With the sensor probe lowered and submersed at an intake, 10,000 data sets can be stored in the control unit and transferred to a PC later.

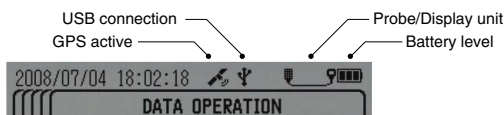


Exceptional Performance and Optimal Design for field ap

Control Unit >>>

Easy to read LCD Display and Easy Operation

- All 11 parameters measurement data is listed on screen.
- Text size can be changed to large font.
- Small control unit design for operation with one hand.
- Icon display information.



- Operation instructions on-screen.
- Variable display contrast compensates for extreme ambient lighting conditions.

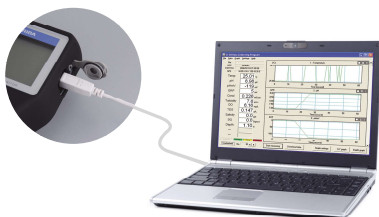
Control Unit Design for Field Operations

- Auto-calibration feature provides hassle free calibration of pH, dissolved oxygen, conductivity, turbidity and depth.
- Shock resistant cover designed for rough treatment in the field and is easily cleaned.
- Cable can be easily connected and disconnected with quick-connect fitting.



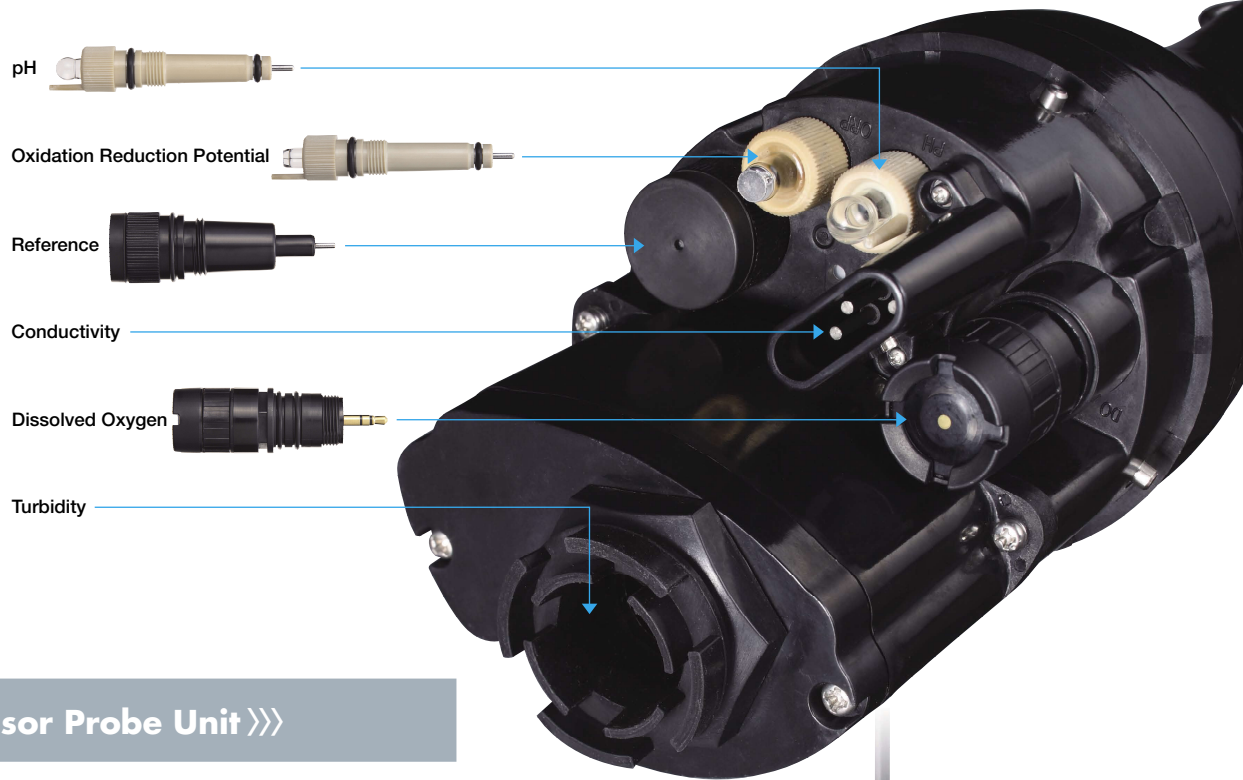
Data Management

- Auto hold function freezes average data values on the screen to offer more time to verify or transcribe data.
- Diagnostic functions notify the user of errors.
- Integral USB connection for data transfer to a PC. USB cable is sold separately and includes software.
- Selectable measurement units allow the operator to report data without the need to convert data to desired units of measure.



■ GPS Compatible (U-52G/53G/54G)

The system can be used in conjunction with the Global Positioning System (GPS) to record latitude, longitude, and other location data for individual measurements. This is particularly useful for environmental surveys.



Sensor Probe Unit >>>

Multiple Sensors Housed in Each Probe

- Multiple sensors allow for the measurement of 11 parameters simultaneously. (pH, pH (mv), ORP, DO, COND, Salinity, TDS, Seawater Specific Gravity, Temperature, Turbidity, Water depth)
- Turbidity Sensor U-53 conforms to US EPA method 180.1. Precision has been improved over conventional instruments. The Model U-53 high precision field replaceable turbidity sensor with wiper has a resolution of 0.01 NTU.
- Turbidity sensor of U-54 conforms to EN ISO 7027. The model U-54 has a resolution of 0.01 NTU.
- Improved stability of the dissolved oxygen sensor has been achieved with a new 3 electrode design for fast response and polarographic sensor for ease of maintenance.
- pH and ORP electrodes can be replaced individually to reduce replacement costs.

■ U-5X series specification comparison list

	U-51	U-52	U-52G	U-53	U-53G	U-54	U-54G
pH	●	●	●	●	●	●	●
ORP (Oxidation Reduction Potential)	●	●	●	●	●	●	●
Dissolved Oxygen	●	●	●	●	●	●	●
Conductivity	●	●	●	●	●	●	●
Salinity	●	●	●	●	●	●	●
TDS (Total Dissolved Solids)	●	●	●	●	●	●	●
Seawater Specific Gravity	●	●	●	●	●	●	●
Temperature	●	●	●	●	●	●	●
Turbidity (LED)	—	●	●	—	—	●	●
Turbidity (Tungsten lamp)	—	—	—	●	●	—	—
Water depth	—	—	●	●	●	●*	●*
GPS	—	—	●	—	●	—	●

Note: *U-54/G(2m) don't have the feature of water depth.



U-50 Series Specifications



		U-51	U-52	U-52G	U-53	U-53G
Sensor Probe	Measurement temperature				-10 to 55°C	
	Maximum sensor diameter				Approx. 96 mm	
	Probe length				Approx. 340 mm	
	Cable length				Standard: 2 m, option: 10, 30 m	
	Mass				Approx. 1,800 g (Approx. 3.97 lbs)	
	Automatic calibration (uses pH4)	●		●		●
	Turbidity wiper	—			●	●
	Measurement depth				Max. 30 m	
	Liquid contact part material (liquid end material)				PPS, glass, SUS316L, SUS304, FKM, PEEK,Q, titanium, FEP membrane, POM	
	Water resistance				JIS protection level 8	
Control Unit	Outer dimensions				115 (W) x 66 (D) x 283 (H) mm	
	Mass				Approx. 800 g (Approx. 1.76 lbs)	
	LCD				320 x 240 liquid crystal display with backlight (black and white)	
	Data memory				10,000	
	Communication				USB	
	Battery				C batteries x 4	
	Water resistance				JIS protection level 7 (when sensor cable is fitted)	
	Battery Life	Approx. 70 hours (without backlight)			Approx. 500 measurements	
	Storage temperature				-10 to 60°C	
	Ambient temperature				-5 to 45°C	
pH ●Two-point calibration ●Automatic temperature	Measurement principle				Glass electrode method	
	Range				pH0 to 14	
	Resolution				0.01pH	
	Repeatability				±0.05pH	
	Accuracy				±0.1pH	
Oxidation Reduction Potential (ORP)	Measurement principle				Platinum electrode method	
	Range				-2000 mV to +2000 mV	
	Resolution				1 mV	
	Repeatability				±5 mV	
	Accuracy				±15 mV	
Dissolved Oxygen (DO) ●Salinity conversion (0 to 70 PPT/automatic) ●Automatic temperature compensation	Measurement principle				Polarographic method	
	Range				0 to 50.0 mg/L	
	Resolution				0.01 mg/L	
	Repeatability				±0.1 mg/L	
	Accuracy				0 to 20 mg/L: ±0.2 mg/L 20 to 50 mg/L: ±0.5 mg/L	
Conductivity (COND) ●Auto range ●Automatic temperature conversion (25°C)	Measurement principle				4 AC electrode method	
	Range				0 to 10 S/m (0 to 100 mS/cm)	
	Resolution	0.000 to 0.999 mS/cm: 0.001 mS/cm	1.00 to 9.99 mS/cm: 0.01 mS/cm	10.0 to 99.9 mS/cm: 0.1 mS/cm		
	Repeatability	0.0 to 99.9 mS/m: 0.1 mS/m	0.100 to 0.999 S/m: 0.001 S/m	1.00 to 9.99 S/m: 0.01 S/m		
	Accuracy				±0.05% F.S. *±1% F.S. (Median of two-point calibration)	
Salinity	Measurement principle				Conductivity conversion	
	Range				0 to 70 PPT (permillage)	
	Resolution				0.1 PPT	
	Repeatability				±1 PPT	
	Accuracy				±3 PPT	
Total Dissolved Solid (TDS) ●Conversion factor setting	Measurement principle				Conductivity conversion	
	Range				0 to 100 g/L	
	Resolution				0.1% F.S.	
	Repeatability				±2 g/L	
	Accuracy				±5 g/L	
Seawater specific gravity ●Display σ_t , σ_0 , σ_{15}	Measurement principle				Conductivity conversion	
	Range				0 to 50 σ_t	
	Resolution				0.1 σ_t	
	Repeatability				±2 σ_t	
	Accuracy				±5 σ_t	
Temperature	Measurement principle				Thermistor method	
	Range				-10 to 55°C	
	Resolution				0.01°C	
	Repeatability				*±0.10°C (at calibration point)	
	Accuracy				JIS class B platinum thermometer sensor (±0.3+0.005 t)	
Turbidity (TURB)	Measurement principle				LED light source and 30° scattering method	
	Range				0 to 800 NTU	
	Resolution				0 to 99.9 NTU: 0.1 NTU 100 to 800 NTU: 1 NTU	
	Repeatability				*±5% (Reading) or ± 0.5 NTU whichever is greater	
	Accuracy				±5% (Reading) or ±1 NTU whichever is greater	
Water depth	Measurement principle				Pressure method	
	Range				0 to 30 m	
	Resolution				0.05 m	
	Repeatability				±1% F.S.	
	Accuracy				±0.3 m	
GPS	12 channel parallel	—	—	●	—	●

Note:

- * Battery life based on continuous operation using alkaline C dry batteries when the monitor temperature is over 20°C and the backlight OFF.
- * Accuracy is measured by calibrating 4 points for turbidity and electrical conductivity and 2 points for all other measurements against standard solution.
- * Repeatability is measured by the ability to reproduce the results against the standard solution (at 25°C normal pressure condition).

U-50 Series

	Cable length	Model	Code
U-51	2 m	U-51 (2 m)	3200164509
	10 m	U-51 (10 m)	3200164510
U-52	2 m	U-52 (2 m)	3200164501
	10 m	U-52 (10 m)	3200164502
	30 m	U-52 (30 m)	3200164503
U-52G	2 m	U-52G (2 m)	3200156563
	10 m	U-52G (10 m)	3200164499
	30 m	U-52G (30 m)	3200164500
U-53	2 m	U-53 (2 m)	3200164506
	10 m	U-53 (10 m)	3200164507
	30 m	U-53 (30 m)	3200164508
U-53G	2 m	U-53G (2 m)	3200158178
	10 m	U-53G (10 m)	3200164504
	30 m	U-53G (30 m)	3200164505
U-54	2m	U-54 (2 m)	3200323680
	10 m	U-54 (10 m)	3200323681
	30 m	U-53 (30 m)	3200323683
U-54G	2m	U-54G (2 m)	3200323686
	10 m	U-54G (10 m)	3200323687
	30 m	U-54G (30 m)	3200323688

Approx. 70 hours (without backlight)

Standard Accessories

Item	Quantity
pH4 standard solution (500mL)	1
pH reference internal solution (250 mL)	1
DO sensor internal solution set <ul style="list-style-type: none"> ●Internal solution (50mL) ●Sandpaper (#8000, #600) ●Syringe 	1
DO Membrane spare parts set	1
Spanner for DO sensor	1
Cleaning brush	1
Calibration cup	1
Back pack	1
Strap	1
Alkaline batteries LR14	4
Silicon grease	1
Instruction manual	1

Consumables

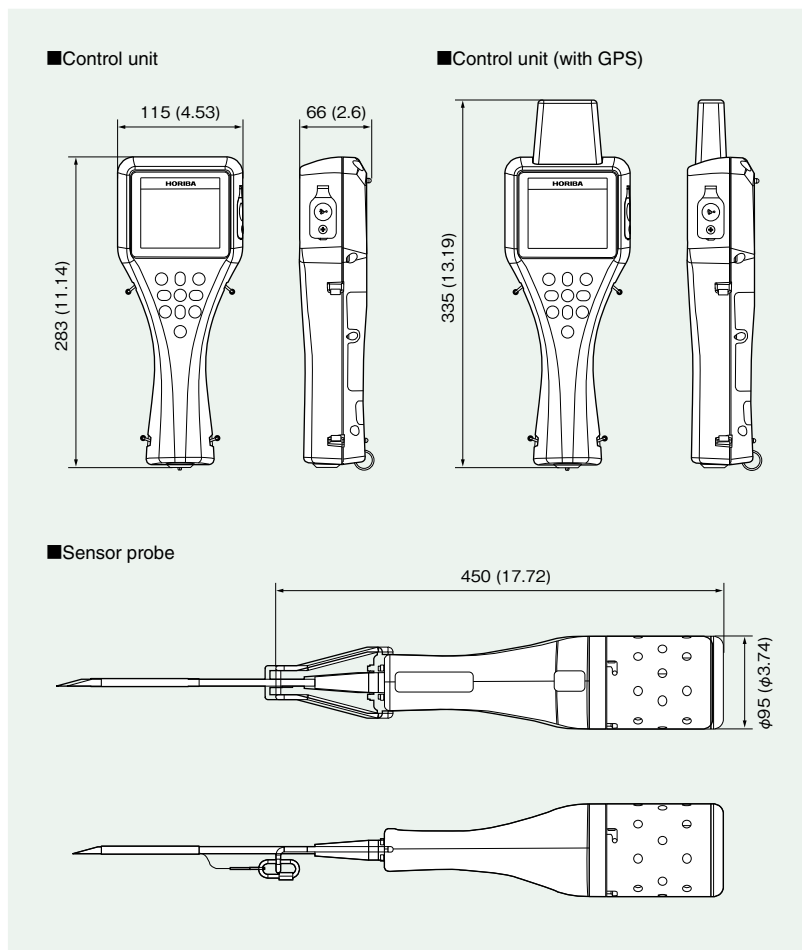
Item	Model	Code
pH sensor	7112	3014057312
pH sensor ToupH	7113	3200170923
ORP sensor	7313	3200170920
DO sensor	7543	3200170924
Reference sensor	7210	3200043582
Reference tip	—	3200043587
Turbidity sensor U-52/52G	7800	3200172803
Turbidity sensor U-53/53G	7801	3200172800
Turbidity sensor U-54/54G	7802	3200318188
DO membrane cap	—	3200170194
DO Inner fluid 50mL	306	3200170938

Standard solution

	Item	Model	Code
Standard solution	pH4 (for automatic calibration), 500 mL	100-4	3200043638 (9003001600)
	pH4 (for automatic calibration), 4 L	140-4	3200174430
	pH7	100-7	3200043637 (9003001700)
	pH9	100-9	3200043636 (9003001800)
	ORP standard solution powder For 250 mL × 10	160-51	3200043618 (9003003100)
	ORP standard solution powder For 250 mL × 10	160-22	3200043617 (9003003000)
	Internal solution	Internal solution for pH reference 250 mL	330

LED light source and 90° scattering method	0 to 1000 NTU
0 to 0.99: 0.01 NTU 1 to 99.9: 0.1 NTU	100 to 1000 NTU: 1 NTU
±5% (Reading) or ± 0.5 NTU whichever is greater	
±5% (Reading) or ±1 NTU whichever is greater	
Pressure method, only 10m and 30m product	

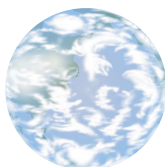
■ Dimensions unit: mm (in)



■ Option

Item	Model	Code
Carrying case	U-5030	3200174772
Flow chamber	—	3200156570
Probe guard	—	3200167002
Cable (with data-collection software)	—	3200174823

HORIBA continues contributing to the preservation of the global environment through analysis and measuring technology.



Please read the operation manual before using this product to assure safe and proper handling of the product.

- The contents of this catalog are subject to change without prior notice, and without any subsequent liability to this company.
- The color of the actual products may differ from the color pictured in this catalog due to printing limitations.
- It is strictly forbidden to copy the content of this catalog in part or in full.
- All brand names, product names and service names in this catalog are trademarks or registered trademarks of their respective companies.

<http://www.horiba.com> e-mail: info@horiba.co.jp

● HORIBA, Ltd.

Head Office
2 Miyano Higashi, Kisshoin
Minami-ku, Kyoto, Japan
Phone: 81 (75) 313-8123
Fax: 81 (75) 321-5725

Tokyo Sales Office
1-7-8 Higashi-Kanda
Chiyoda-ku, Tokyo, Japan
Phone: 81 (3) 3861-8231
Fax: 81 (3) 3861-8259

● HORIBA TRADING (SHANGHAI) CO., Ltd.

Shanghai Office
Room 1701, United Plaza,
1468 Nanjing Rd. West,
Shanghai, 200040, China
Phone: 21-6289-6060
Fax: 21-6289-5553

Beijing Office
Room 1801, Capital Tower Beijing,
Tower 1 No.6Jia, Jianguomenwai Ave.,
Chaoyang District, Beijing,
100022 China
Phone: 10-8567-9966
Fax: 10-8567-9066

● HORIBA KOREA Ltd.

112-6 Sogong-Dong
Choong-ku, Seoul, Korea
Phone: 82 (2) 753-7911
Fax: 82 (2) 756-4972

● HORIBA INSTRUMENTS Pte. LTD.

10 Ubi Crescent
#05-11/12, Ubi Techpark
Singapore 408564
Phone: 65 6745-8300
Fax: 65 6745-8155

● HORIBA India Private Limited

Delhi Office
1212A, Hemkunt Tower,
98 Nehru Place,
New Delhi - 110019 INDIA
Phone: +91 11-4669-5001/5002

Pune Office
502, Purushottam Plaza,
Baner Road, Baner,
Pune - 411045 INDIA
Phone: +91 20-2729-1121

● HORIBA INSTRUMENTS INCORPORATED

Irvine Facility
17671 Armstrong Avenue
Irvine, CA 92614, U.S.A.
Phone: 1 (949) 250-4811
Fax: 1 (949) 250-0924

● HORIBA INSTRUMENTS LIMITED

Kyoto Close
Summerhouse Road
Moulton Park, Northampton
NN3 6FL, U.K.
Phone: 44 (1604) 542500
Fax: 44 (1604) 542699

● HORIBA GmbH

Kaplanstrasse 5
A-3430 Tulln,
Austria
Phone: 43 (2272) 65225
Fax: 43 (2272) 65230

HORIBA CZECHIA
Organizacni slozka Praha
Petrohradská 13
CZ-101 00 Praha 10,
Czech Republic
Phone: 420 (2) 717-464-80
Fax: 420 (2) 717-470-64

● HORIBA EUROPE GmbH

Head Office
Hans-Mess-Str.6
D-61440 Oberursel/Ts.
Germany
Phone: 49 (6172) 1396-0
Fax: 49 (6172) 137385

Leichlingen Facility
Julius-kronenberg Strasse
D-42799 Leichlingen
Germany
Phone: 49 (2175) 8978-0
Fax: 49 (2175) 8978-50

● HORIBA FRANCE

12, Avenue des Tropiques
91955 LES ULIS
France
Phone: 33 (1) 69-29-96-23
Fax: 33 (1) 69-29-95-77

Bulletin:HRE-1930D

Printed in Japan T-TF(SK)00