

PRECISION QUALITY CONTROL INSTRUMENTS SINCE 1958



Cap Torque Tester Model CAP-TT01

**3 torque ranges
up to 5,000 ft/lb.**

**Sample diameters up
to 7.5 in. (190mm).**

- Moveable posts and optional jaws accommodate a wide range of sample shapes and sizes.
- Automatic output, data storage, and zeroing upon bottle cap removal helps automate testing processes.
- Password protection prevents unauthorized changes.
- High-speed 7,000 Hz sampling rate accurately captures peak torque values.
- Selectable units of measure including Oz-in, Lb-in, Lb-ft, N-m and N-cm
- USB, RS-232, Mitutoyo, and analog outputs.
- 1,000-point data memory with statistics and outputs.
- Programmable set point indicators and outputs for pass/ fail determination.
- Configurable audio alarms and key tones.
- MESUR™ Lite data collection software included.



The CAP-TT01 Cap Torque Tester measures application and removal torque of bottle caps up to 100 lbFin (11.5 Nm).

The CAP-TT-01's adjustable posts effectively grip a broad range of container shapes and sizes, while optional flat and adjustable jaws are available for unique profiles. A rugged aluminum design, and simple, intuitive operation allow for use in laboratory and production environments.

Class-leading accuracy of $\pm 0.3\%$ and a blazingly fast sampling rate of 7,000 Hz ensure reliable and consistent test results, even in quick-action applications.

The CAP-TT01 includes a range of sophisticated productivity-enhancing features, including USB, RS-232, Mitutoyo, and analog outputs, automatic data output and zeroing upon cap removal, memory storage for 1,000 readings, pass/fail indicators and outputs, and more. Password protection is provided to prevent unauthorized changes to settings and calibration.

CAP-TT01 testers include MESUR™ Lite data acquisition software. MESUR™ Lite tabulates continuous or single point data. Data stored in the CAP-TT01's memory can also be downloaded in bulk. One-click export to Excel allows further data manipulation.

**3 YEAR
WARRANTY**

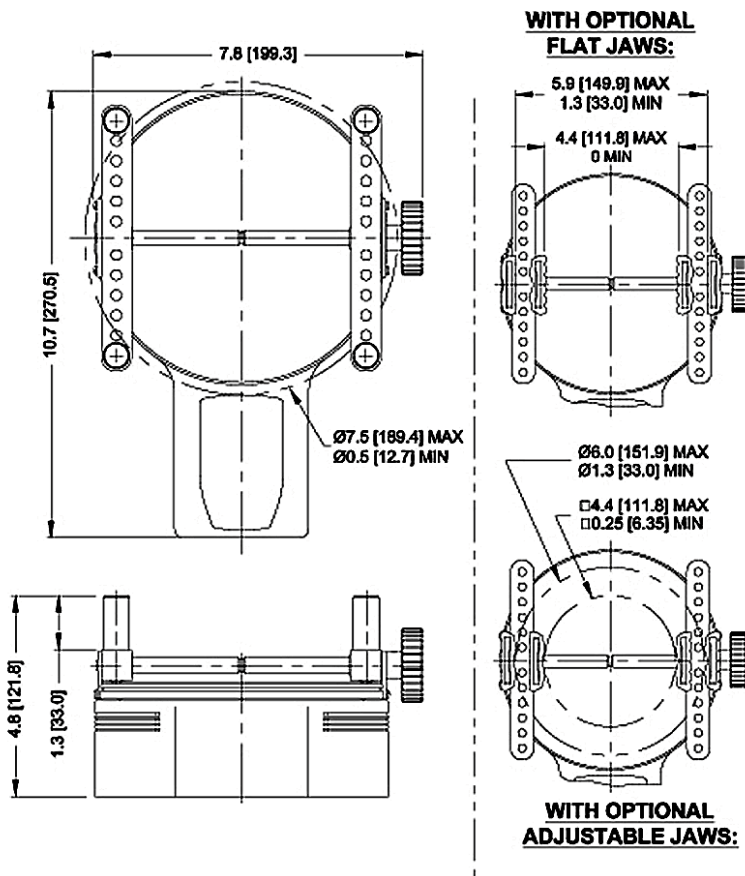
Ergonomic, easy-to-use keypad makes bottle cap torque testing simple and efficient. The CAP-TT01 is ideal for both laboratory and production environments.



CAP-TT01 Specifications And Dimensions

Accuracy	±0.3% of full scale.	Set points	Three open drain lines.
Sampling rate	7,000 Hz.	Configurable Settings	Digital filters, outputs, automatic output/data storage/zero, automatic shutoff, default settings, key tones, backlight, audio alarms, passwords, calibration .
Power	AC or rechargeable battery. Multi-step low battery indicator is displayed. Tester shuts off automatically when the power is too low.	Safe overload	150% of full scale (display shows "OVER" at 110% and above).
Battery Life		Weight	8.4 lb (3.8 kg).
<i>Backlight on:</i>	up to 7 hours of continuous use.	Included items	Universal voltage AC adapter, battery, quick-start guide, USB cable, resource CD (USB driver, MESUR™ Lite software, MESUR™ gauge DEMO software, and user's guide), and NIST-traceable certificate of calibration with data.
<i>Backlight off:</i>	up to 24 hours of continuous use.	Warranty	3 years
Measurement units	Oz-in, Lb-in, Lb-ft, N-m and N-cm.		
Outputs	USB / RS-232: Configurable up to 115,200 baud.		
Mitutoyo	Serial BCD suitable for all Mitutoyo SPC-compatible devices.		
Analog	±1 VCD, ±0.25% of full scale at capacity.		
General purpose	Three open drain outputs, one input.		

Dimensions



Torque Ranges (Capacity/Resolution)

Model	ozFin	lvFin	lbFft	Ncm	Nm
CAP-TT01-12	192 0.1	12 0.0005	1 0.0005	135 0.1	135 0.001
CAP-TT01-50	320 0.2	50 0.02	4 0.002	570 0.5	5.7 0.005
CAP-TT01-100	800 0.5	100 0.05	8 0.005	1150 0.5	11.5 0.005

Related Products

AC1036

Calibration Kit for CAP-TA

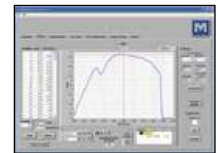
This calibration kit is designed to permit the field calibration of any CAP-TA cap torque tester. The kit contains a complete set of attachments required.



MESURgauge

Load & Travel Analysis Software

MESURgauge measuring and analysis software expands the functionality of force and torque measuring instruments. MESURgauge captures readings from any force or torque gauge with RS-232 output and displays data in tabular and graphical formats. Load data can be graphed against time or travel, particularly useful for such applications as spring testing and tensile testing.



For additional information or to place an order CALL TOLL FREE 1-800-645-4330

Electromatic Equipment Co., Inc.
600 Oakland Ave.
Cedarhurst, N Y 11516 —USA

Tel: (800) 645-4330 (USA & Canada)
Tel: (516) 295-4300
Fax: (516) 295-4399

Email: info@checkline.com
Website: www.checkline.com

Check•Line is a registered trademark of Electromatic Equipment Company Inc.