



## User's Guide

U0110

U0111

U0121

U0122

U0141

U0541

U2422

U3120

U3121

U3430

U3631

U4130

U4440

U5841

U6841

U7844

U8410

USB Datalogger

---

© Copyright: COMET SYSTEM, s.r.o.

This User's Guide may not be copied, and its contents may not be changed in any way without explicit consent of COMET SYSTEM, s.r.o.  
All rights reserved.

The COMET SYSTEM, s.r.o. company is continuously developing and improving its product. COMET SYSTEM, s.r.o. reserves the right to carry out technical changes in equipment or product without any previous notice.

Contact address of this device's producer:

COMET SYSTEM, s.r.o.  
Bezrucova 2901  
756 61 Roznov pod Radhostem  
Czech Republic  
[www.cometsystem.com](http://www.cometsystem.com)

---

# List of contents

INTRODUCTION.....	4
SAFETY MEASURES AND UNAUTHORIZED MANIPULATIONS .....	6
GUIDE TO INSTALLATION AND USAGE OF THE DEVICE .....	7
Installing the datalogger, placing the probes .....	7
Device set-up.....	8
Running the device .....	9
Device disposal procedure.....	9
OPERATING THE DATALOGGER FROM THE KEYPAD .....	10
Displaying the device data .....	10
Menu Options .....	14
MODELS PRODUCED .....	15
COMET VISION PROGRAM .....	27
SETTING UP THE DEVICE.....	28
How to set up the device by means of a program.....	28
The device setup from a program (Configuration) .....	28
APPLICATION NOTES.....	36
RECOMMENDATIONS FOR OPERATION AND MAINTENANCE .....	38
TECHNICAL PARAMETERS.....	41
Power supply .....	41
USB communication interface .....	42
Measurement, data storage and real time circuitry .....	42
Parameters of datalogger inputs .....	43
Operating and storage conditions .....	57
Mechanical properties.....	57
Dimensions .....	59
ANNEXES .....	65
Annex 1: Selected error messages of the device .....	65
Annex 2: Connection of the Pt1000/E series probe connector ...	66
Annex 3: Accuracy of the dew-point temperature measurement	67
Annex 4: Connecting block .....	67

---

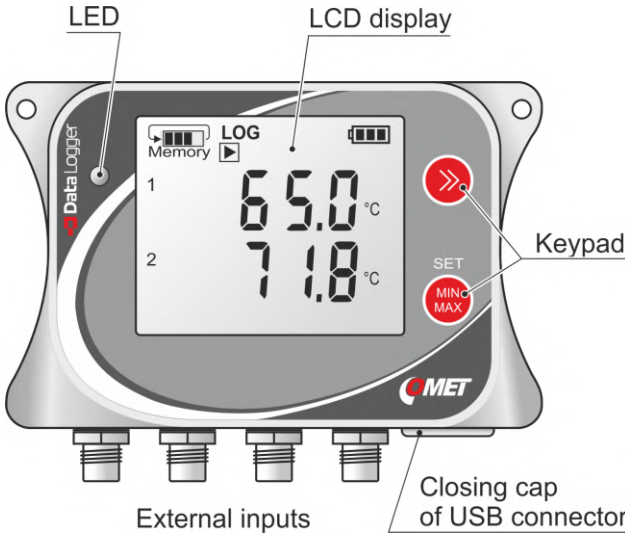
# Introduction

This datalogger is designed for autonomous measurements and recording of physical and electrical data, with the data recording interval from 1 s to 24 h. The inputs and ranges of quantities to be measured are determined by the model type the user has bought. The user cannot modify them. This portable device can be mounted in a fixed-position. To set up datalogger, a PC with a USB interface is needed.

This device allows:

- to measure and process input data coming from internal or external sensors, binary inputs, counters and voltage or current inputs.
- to detect and log minimum and maximum values (existing since their last manual resetting) of each quantity,
- to display the measured values on an LCD display. Some features can be controlled by two push buttons situated next to the display (device switching off and on, deactivation of alarm signalling, Min/Max value resetting),
- to store an autonomous chronological record of measured values in internal non-volatile memory. The values to be collected can be measured at the instant of recording or as average or min/max values detected during the recording interval. Recording can be performed continuously or at the alarm time only. The recording mode can be also set optionally as non-cyclic to stop at the memory filling up, or as cyclic. In this mode the originally recorded values will be overwritten by fresh ones after the memory unit getting filled up.
- to set up two alarm signalling limits for each quantity to be measured. The alarm signalling can be realised visually, optionally by a symbol appearing on the display or by a short blink of an LED, or acoustically
- to be supplied in autonomous manner from an internal primary lithium battery, CO<sub>2</sub> sensor models are powered by an internal Li-Ion accupack that can be charged using a conventional USB charger. Other models cannot be charged.
- to communicate with a computer by means of a USB interface (all device settings, recorded data downloading, and online monitoring). To communicate, the datalogger utilises the HID USB standard, which does not require additional controllers to be built into the PC.

**General view of a Uxxxx series datalogger (U0141 model):**



---

# Safety measures and unauthorized manipulations



Read the following safety directions carefully before putting the device into operation. Follow these instructions when using the device!

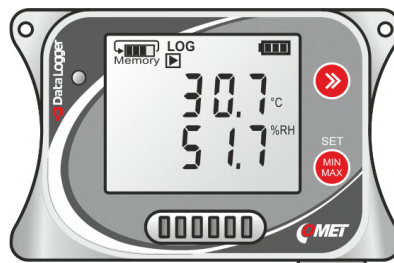
- **Operating and storage conditions.** Observe the recommended operating and storage condition as quoted in the Technical parameters. Models with a CO<sub>2</sub> sensor containing an internal lithium-ion accupack should not be exposed to temperatures above 60 °C Do not expose the device to direct radiation of heat sources and sun.
- **Fire and explosion hazard.** It is not allowed to use this datalogger within hazardous areas, especially those endangered by a potential explosion of combustible gases, vapours or dust.
- **Device cover.** Do not operate the datalogger without the cover. Proceed always exactly according to instructions that are given later in this User's guide.
- **Aggressive surroundings.** Do not expose this device to any kind of aggressive surroundings, to chemicals or mechanical shocks. Use soft tissue for cleaning. Do not apply solvents or similar aggressive agents.
- **Battery damage.** Should the battery casing get damaged or should the whole device get destroyed, carry it outside the fire, high temperature or water affected area to a safe fire-protected place. Protect yourself and the environment against escaping gases and against being soiled with the battery electrolyte.
- **Failures and servicing.** Do not try to repair the device yourself. If the device shows signs of unusual behaviour, screw off the rear cover to remove battery or disconnect the accupack connector. Avoid the removed battery contacting any metallic parts. Any repairs, including accupack exchange by models with a CO<sub>2</sub> sensor, may be carried out by suitably instructed service personnel only. Contact the distributor you have bought the device from.
- **Accumulator charging.** Only models with CO<sub>2</sub> sensors can be charged. Use the charger that has been recommended to charge the accumulator. During the charging procedure the device has to be located in an indoor room with a relative humidity (RH) up to 85 %. The charging will proceed at an indoor temperature ranging between 0 °C and +40 °C.
- **Protection against water and dust.** The device will be protected against water and dust only when all connectors are duly tightened, and the USB connector is provided with a closing cap. The input connectors that are not used have also to be provided with closing caps.
- **Serviceability** - For critical purposes, never rely solely on this equipment (rescue systems, safety systems, etc.). Note that redundancy is essential for systems with high functional reliability. Further information can be found e.g. in IEC 61508.
- **Recommended accessories.** Use only accessories that are recommended by the producer

---

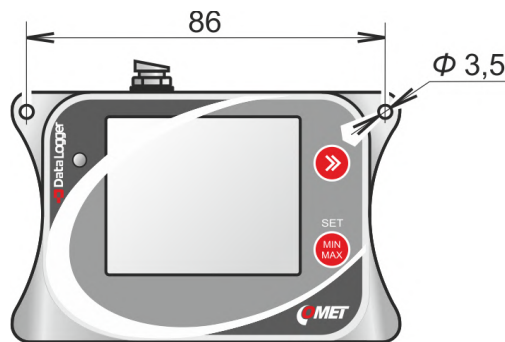
# Guide to installation and usage of the device

## Installing the datalogger, placing the probes

- **Choose a suitable location for installing the device** - bear in mind that the environmental conditions should be concordant with the *Operating conditions*. Do not situate the device near sources of electromagnetic interference.
- **Recommended working position** - for models with internal humidity sensor (U3120, U3631, U4130, U3430 and U4440) with USB connector down, for others any:

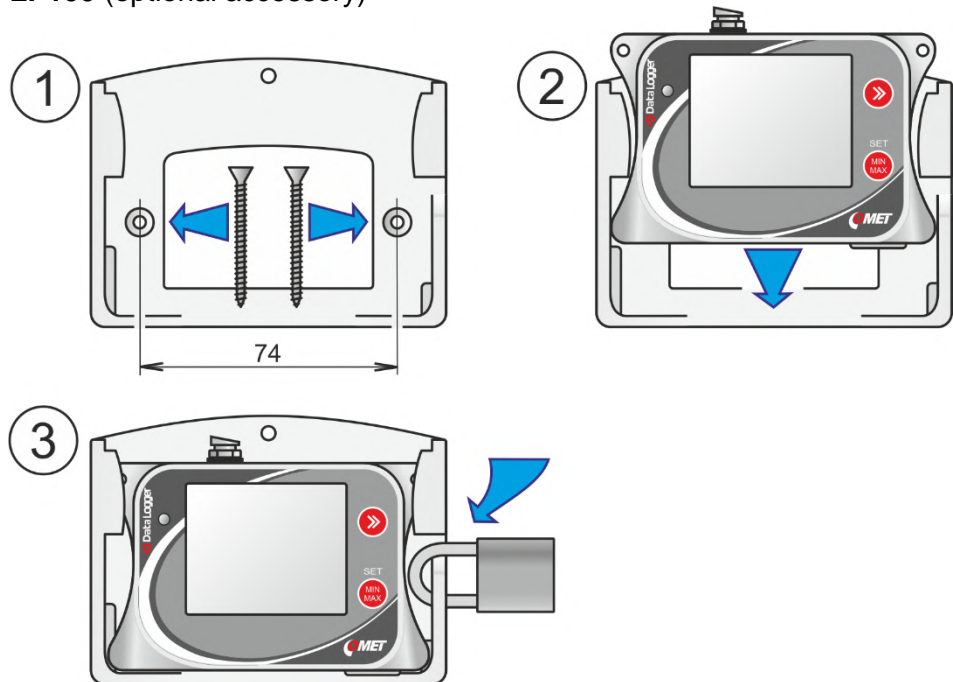


- **This device may be operated as a portable one.** In this kind of operation avoid the device falling. Try to maintain the proper working position.
- **You can screw the device on the wall or some other solid base**



- **Probe installation and cable routing** - observe the installation instructions, realize the recommended operating positions, avoid electric-power distribution systems. See the chapter „MODELS PRODUCED“ for more information.
- For the **U3120, U3631, U4130, U3430 and U4440** device remove any transport transparent foil from the front panel (otherwise it would prevent air access to internal sensors)

- 
- You can fix the device on the wall with the aid of a lockable holder LP100 (optional accessory)



## Device set-up

- **Connect the appropriate probes and signal leads to the device.** For more information refer to the chapter „MODELS PRODUCED“.
- **Install the *COMET Vision* software into your computer** - is available for free on the address [www.cometsystem.com](http://www.cometsystem.com)
- **Run COMET Vision software**
- **Connect the device to the computer** - on the datalogger side, use a USB cable provided with a USB-C terminal
- **Setting up the device** - with the aid of the COMET Vision program, set up the device identification, the names of the points to be measured, the recording mode, the alarms and there signalling
- For more information, refer to the chapter „SETTING-UP THE DEVICE“



---

## Running the device

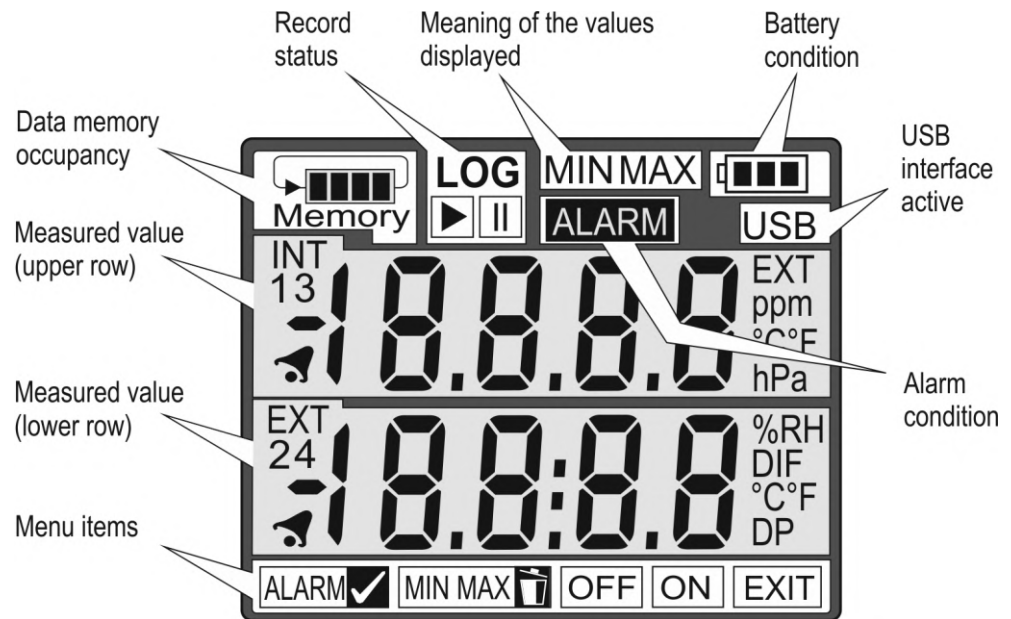
- **After the set-up** - Disconnect the device from the computer and close the USB connector with a closing cap. Check that all connectors are tightened properly. *The device may be operated with a permanently connected USB cable. In this case the ingress protection will be reduced to IP 20.*
- **Operating the device by means of keys** - In the main display mode you can switch over between individual channels and the display mode *Current / minimum / maximum values* by means of the keys. By pressing a certain key combination, you will enter a menu in which you will be able to switch the device on or off, to delete the Min/Max values and to disable the alarm signalling. For more information, refer to the chapter „OPERATING THE DATALOGGER FROM THE KEYPAD“.
- **Charging the batteries** - applies only to models with a CO<sub>2</sub> sensor (contains Li-Ion accupack), other devices cannot be charged. An internal charger will be activated immediately after connecting the USB charger or after connecting the datalogger to the computer. The datalogger contains an intelligent charging circuitry evaluating the battery condition and internal temperature. Charging time depends on the current battery discharge status. The battery charging process will be initiated only in the case that the battery voltage is low and the internal temperature ranges between 0 °C and 40 °C. Use the recommended charger type only. During the charging period the ingress protection is reduced to IP 20; therefore, do the charging under room (or similar) conditions only. If the battery is very low, the charging process may be terminated with an error message. In such a case contact the datalogger vendor to apply for battery replacement. During the battery charging period the internal temperature of the device may be slightly raised, which can, for a short period of time, adversely influence the measurement values of the internal sensors. Therefore, the charging speed **with the power on is deliberately slowed down** to avoid excessive measurement influence. If you want to charge the device as soon as possible, turn it off first. When the device is turned off, the fast charging mode is automatically activated. Fully charged battery is indicated on the display of the device usually within 6 hours.
- **Maintenance and regular checks** - for a reliable functioning of the device it is advisable to perform its regular check-ups. For more details refer to „RECOMMENDATIONS FOR OPERATION AND MAINTENANCE“.

## Device disposal procedure

Screw-off the rear cover of the datalogger, take out the battery. The device is disposed of as electronic waste. The battery must be disposed of as hazardous waste.

# Operating the datalogger from the keypad

## Displaying the device data



**Data memory occupancy** - this display section offers information about the current condition of the free space existing in the data memory. The blinking of the *Memory* symbol indicates that the pre-set memory occupancy limit has been exceeded. This limit can be set up in the device's configuration. Several actions can be assigned to it (optical and acoustic signalling).



The memory occupancy is about 75 %, the device is in the **non-cyclic recording mode**, i.e. the recording will be stopped as soon as the memory capacity is full.



The memory occupancy about 75 %, the device is in the **cyclic recording mode**, i.e. as soon as the memory capacity is full, the oldest data will be overwritten.





The memory occupancy 100 %, the device is in the **cyclic recording mode**. The pre-set memory occupancy limit has been exceeded (The *Memory* symbol is blinking).


---

**Record status** - offers information on whether the recording is ON and whether it is just running.


**LOG** A continuous recording with a preset interval is ON and running.

**LOG** The recording is ON in the device and it is running at present.  
 *This kind of display is utilized, when the record activity is dependent on the alarm or the external input condition.*

**LOG** The recording is ON in the device but it is not running at present.  
 *For instance, the rrecording is ON during an alarm only, and there is no alarm just now. Or, a recording is ON that is controlled by an external input which not active at the moment.*

 The LOG symbol is not displayed: The recording is OFF in the device. The recording is not allowed in any channel in the device's configuration.

**Meaning of the values displayed** - this item specifies the meaning of the measured values displayed in the two main rows. Beside the currently measured values the device will also evaluate the minimum and maximum values from their last resetting by the user. *If the device is OFF and has not been running for some time, then, after it is turning ON, the value of Min / Max is then set to the values before switching OFF.* It can be pre-set in the device configuration, whether and in what manner these Min/Max values will be displayed by the device. Remember that the Min/Max in question are different from those being recorded.

 Neither MIN nor MAX is displayed. You can see values that have been currently measured.

**MIN** In both display rows you can see the minimum values measured since their last resetting by the user.





**MAX** In both display rows you can see the maximum values measured since their last resetting by the user.

**Alarm condition** - this item provides instant information that at least one of the alarms which have been pre-set is active. Alarms can be generated by exceeding the limits that have been pre-set in individual channels. Moreover, they can notify of a device failure. In the device configuration you can pre-set which conditions should be considered as alarm generating. By means of the upper key you can easily browse through the values measured in all device channels (if enabled in device configuration). In the case that the value is preceded by a bell-like icon, the pre-set limits (alarms) have been exceeded in this channel.


---

**Battery condition** - this symbol provides overview information about the current battery charging condition. The charging is indicated by flashing one of these symbols.

Battery conditions during battery operation of the device:

-  Fully charged battery
-  Partly discharged battery
-  Heavily discharged battery
-  Totally discharged battery, the device will be switched OFF.

Battery conditions with a charger connected to the battery:

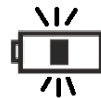
 Blinking symbol of an empty battery. There was a deep discharge of the battery, the charger is attempting to recover battery. If this condition persists for a long time and the standard charging process is not renewed, contact your service department. The battery will have to be replaced.



Indications of individual charging steps when the charging process takes place in a standard way. If the display shows the symbol of a full battery, the battery is fully charged and the charger can be disconnected.



A failure has been detected during charging and the charging process has been broken off. Try to remove the failure by disconnecting and reconnecting the charger. If the problem persists, call the service.



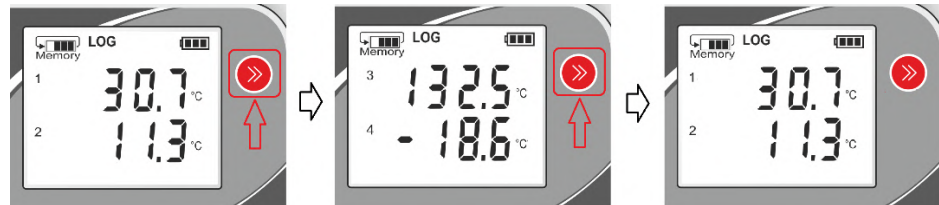
Wait, the charger performs internal testing, or the temperature inside the device is not within the allowed charging range (0 to 40 °C).

**USB interface active** – the icon indicates that the device has been connected to the computer.

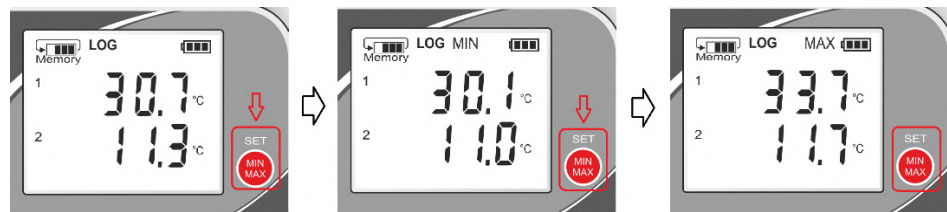
**Measured value (upper and lower row)** - the currently measured value(s) (or the Min/Max values) are displayed, if the corresponding symbols in the upper display section are illuminated. The unit name and the measured value symbol (1, 2, 3, 4, INT, EXT) are pre-set by the manufacturer, the user cannot change them. In addition, it is factory pre-set whether the measured

---

value of a particular channel will be displayed in the lower or upper display unit row. On the other hand, the user has many possibilities to adjust the appearance and behaviour of individual „screens“. Controlling them can take place only manually by the aid of push buttons situated beside the display unit. The upper push button serves to toggle between the measured values („the screens“):



The lower push button serves to toggle between the currently measured values and the Min/Max values:



The device can also be set up to toggle the „screens“ automatically, in for about 5 sec interval. The cycle can be interrupted by pressing a key. If you do not want to use the keypad, you can disable it in the device settings.

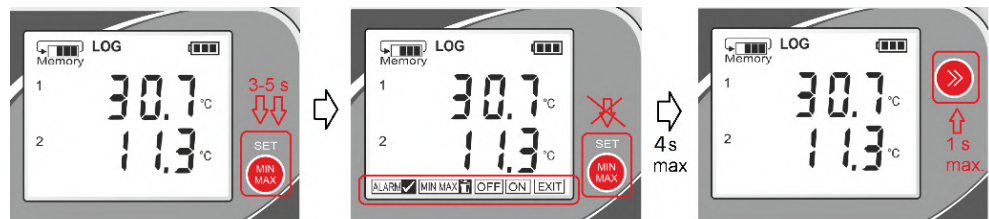
---

## Menu Options

The menu can be entered by pressing a combination of both keys. In any case, using the keypad must be enabled in the device configuration. Individual menu items, too, may be disabled in the device setup. It is e. g. possible to switch on the device in this way, but it is not possible to switch it off.

To enter the menu:

Press the lower key and hold it pressed for about 3 s, until bottom menu line appeared. Then release this key immediately and shortly press the upper key during the following 4 s.:



You can now work with individual menu items. Press the upper key to scroll through the menu items, press the lower key to confirm (SET). After confirming certain choices, the menu will be quit automatically. If the keypad is inactive for more than 20 s, the menu will close automatically.

Menu items:

- ALARM** Deactivation of the optical (LED diode) and acoustic alarm signalling. In the case that the alarm signalling is active, it will be terminated by generating a new alarm. In the device configuration it must be allowed to disable this signalling from the device keypad.
- MIN MAX** Deleting the Min/Max values in the device and it is related only to values obtained since last reset. This does not concern those recorded Min/Max values obtained in some other way. Option must be enabled in the SW device configuration.
- OFF** Switching the device off. This item is available only if the device is ON. Option must be enabled in the SW device configuration.
- ON** Device switching-on. This item is available only if the device is OFF. Option must be enabled in the SW device configuration.
- EXIT** Closing the menu.

---

## Models produced

The models produced differ from one another by types and ranges of values to be measured. The datalogger's input channels are invariably assigned to these values. The user cannot change the type and range of the values to be measured.

### U0110

---

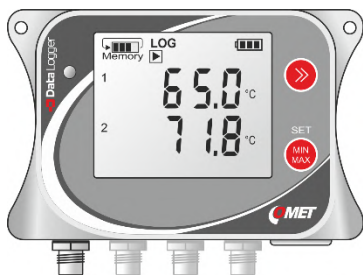


#### One-channel thermometer

This model is equipped with only one internal temperature sensor, no additional probes and sensors can be connected. It is characterized by a simple and compact design and a relatively long response to a temperature jump. The device is placed directly in the measured space. The battery in the device cannot be charged.

### U0111, U0121, U0141

---



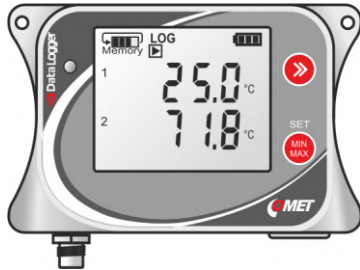
#### One-channel, two-channel and four-channel thermometer for external probes

This model can measure one, two or up to four temperature values transmitted by Pt1000/E series external probes. The response to a temperature jump depends on the connected probe design. As a rule, this model is few times faster than that using the inner sensor. It is often used to monitor locations where the device itself is not directly in the measuring space and only probes are in. The maximum length of each probe lead should not exceed 15 m. It is recommended to use shielded cables. To maintain the IP rating, the unused probe connectors should be provided with a supplied closing cap. The battery in the device cannot be charged.



---

## U0122

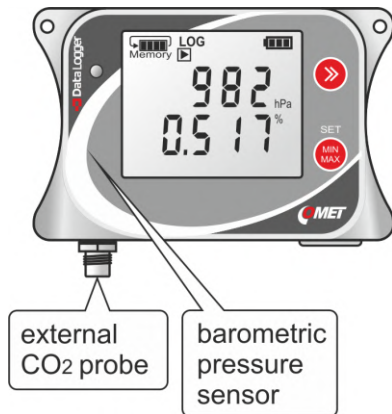


### Two-channel thermometer with external probe

This model allows to measure the temperature of the internal sensor and one external probe series Pt1000/E. The response to a temperature jump depends on the connected probe design but is usually much faster than the response of the internal sensor. It is often used, among other things, to monitor large areas where a device requiring individual monitoring is located. The maximum length of each probe lead should not exceed 15 m. It is recommended to use shielded cables. To maintain the IP rating, the unused probe connectors should be provided with a supplied closing cap. The battery in the device cannot be charged.

---

## U2422



### Compact pressure gauge with external CO2 probe

This model allows to measure the barometric pressure by the internal sensor and concentration of CO2 in the air by the external probe. Barometric pressure can be measured as absolute or recalculated to sea level. Accupack in the device can be charged. In battery mode, this model has significantly shorter battery life than models without CO2 concentration measurement. For this reason, the measurement of CO2 concentration does not occur as often as the measurement of other variables. By default, this is 2 minutes with the option of extending up to 10 minutes (option available in the COMET Vision software).



---

## U3120



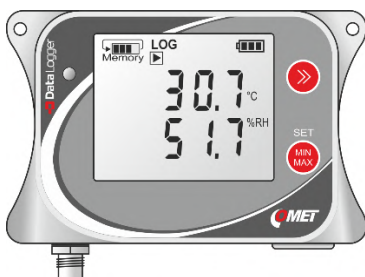
### Compact thermometer - hygrometer

This model is designed to measure temperature, relative humidity and dew-point temperature by internal sensor, no additional probes or sensors can be connected. It is characterized by a simple and compact design and a relatively long response to a temperature and humidity jump, compare to model with external probes. The sensors are located under the grid on the front of the unit and are protected with Teflon foil. Foil permits water vapour but prevents water from permeating the liquid state. The device is suitable for measuring in places where there is no rapid change in temperature or relative humidity, and there is no condensation of water vapours. If water vapour condensation occurs inside the datalogger, then the resulting water will remain there and may damage its electronics. The device is placed directly in the measured space. The battery in the device cannot be charged.

It is recommended to calibrate this device in the laboratory with the unscrewed bottom lid of the box to allow the air to flow from the back of the electronics. When air flow in the range of 0.5 – 1 m/s perform reading after about 4 hours. *The closed device reaches a difference of approximately 2 %RH when inserted in the humidity chamber, then dramatically slows down. Precise reading takes many times longer time than with the open rear lid.*

---

## U3121



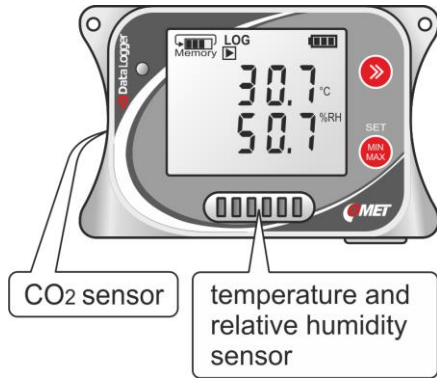
### Thermometer - hygrometer for external probe

This model measures temperature, relative humidity and dew point temperature using an outdoor COMET Digi/E series probe. Its response to the temperature or relative humidity jump is significantly faster than by models with internal sensor. This model is often utilized to monitor areas in which only the probe is installed, whereas the main unit is installed elsewhere. When monitoring remote areas, the maximum probe line wire must not exceed 15 m. The Digi/E series probes provide calibrated measurement values. Hence, they may be replaced without having to modify the device setup. The battery in the device cannot be charged.

---

## U3430

---



### Compact thermometer - hygrometer - CO<sub>2</sub> concentration meter

This model is designed to measure temperature, relative humidity, dew-point temperature and the concentration of CO<sub>2</sub> in the air by internal sensors. Barometric pressure can be measured as absolute or recalculated to sea level. No additional probes or sensors can be connected. It is characterized by a simple and compact design and a relatively long response in the measured quantities, compare to model with external probes. The sensors are located under the grid on the front and side of the unit. The device is suitable for measuring in places where there is no rapid change in temperature or relative humidity, and there is no condensation of water vapours. The device is placed directly in the measured space, Accupack in the device can be charged.

As the internal battery creates a parasitic heat during the charging period, the measurement accuracy may be affected by up to 1 ° C. In battery mode, this model has significantly shorter battery life than models without CO<sub>2</sub> concentration measurement. For this reason, the measurement of CO<sub>2</sub> concentration does not occur as often as the measurement of other variables. By default, this is 2 minutes with the option of extending up to 10 minutes (option available in the COMET Vision SW).

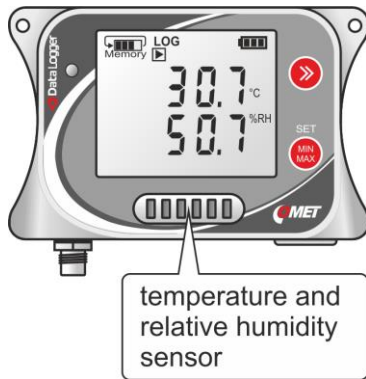
We recommend calibration of the relative humidity and temperature in the laboratory with the unscrewed bottom lid of the box to allow the air to flow from the back of the electronics. When air flow in the range of 0.5 – 1 m/s perform reading after about 4 hours.

Due to low IP20 protection, this device is not suitable for dusty or water-borne areas.

---

## U3631

---



### Compact thermometer - hygrometer with optional external temperature probe

This model is designed to measure temperature, relative humidity and dew-point temperature by internal sensor, moreover one additional external temperature probe Pt1000/E can be connected. Internal sensors are located under the grid on the front of the unit and are protected with Teflon foil. Foil permits water vapour but prevents water from permeating the liquid state. The device also measures the temperature from an external probe and the difference between this temperature and the dew point temperature. If the surface temperature of the material is measured by an external probe, the risk of condensation of water vapor on the surface to be measured can be determined immediately. The device alone is suitable for measuring in places where there is no rapid change in temperature or relative humidity, and there is no condensation of water vapours. If water vapour condensation occurs inside the datalogger, then the resulting water will remain there and may damage its electronics. The device is placed directly in the measured space. The battery in the device cannot be charged.

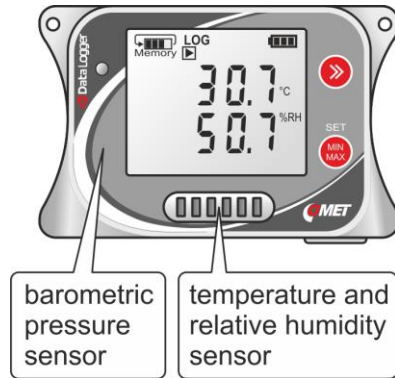
It is recommended to calibrate this device in the laboratory with the unscrewed bottom lid of the box to allow the air to flow from the back of the electronics. When air flow in the range of 0.5 - 1 m/s perform reading after about 4 hours. *The closed device reaches a difference of approximately 2 %RH when inserted in the humidity chamber, then dramatically slows down. Precise reading takes many times longer time than with the open rear lid.*

The maximum length of each probe lead should not exceed 15 m. It is recommended to use shielded cables. To maintain the IP rating, the unused probe connector should be provided with a supplied closing cap.

---

## U4130

---



### Compact thermometer - hygrometer - pressure gauge

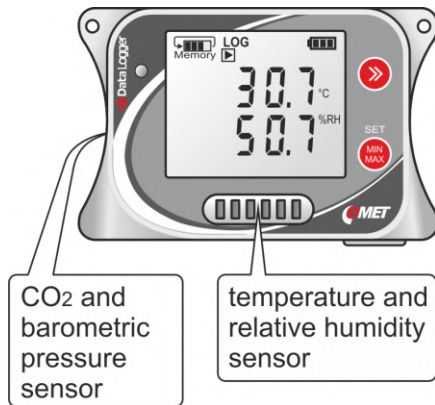
This model is designed to measure temperature, relative humidity, dew-point temperature and barometric pressure by internal sensors. Barometric pressure can be measured as absolute or recalculated to sea level. No additional probes or sensors can be connected. It is characterized by a simple and compact design and a relatively long response in the measured quantities, compare to model with external probes. The sensors are located under the grid on the front and side of the unit. The device is suitable for measuring in places where there is no rapid change in temperature or relative humidity, and there is no condensation of water vapours. The device is placed directly in the measured space. The battery in the device cannot be charged.

It is recommended to calibrate this device in the laboratory with the unscrewed bottom lid of the box to allow the air to flow from the back of the electronics. When air flow in the range of 0.5 - 1 m/s perform reading after about 4 hours. *The closed device reaches a difference of approximately 2 %RH when inserted in the humidity chamber, then dramatically slows down. Precise reading takes many times longer time than with the open rear lid.*

---

## U4440

---



### Compact thermometer - hygrometer - pressure gauge - CO<sub>2</sub> concentration meter

This model is designed to measure temperature, relative humidity, dew-point temperature, barometric pressure and the concentration of CO<sub>2</sub> in the air by internal sensors. Barometric pressure can be measured as absolute or recalculated to sea level. No additional probes or sensors can be connected. It is characterized by a simple and compact design and a relatively long response in the measured quantities, compare to model with external probes. The sensors are located under the grid on the front and side of the unit. The device is suitable for measuring in places where there is no rapid change in temperature or relative humidity, and there is no condensation of water vapours. The device is placed directly in the measured space. Accupack in the device can be charged. As the internal battery creates a parasitic heat during the charging period, the measurement accuracy may be affected by up to 1 °C.

In battery mode, this model has significantly shorter battery life than models without CO<sub>2</sub> concentration measurement. For this reason, the measurement of CO<sub>2</sub> concentration does not occur as often as the measurement of other variables. By default, this is 2 minutes with the option of extending up to 10 minutes (option available in the COMET Vision software).

We recommend that calibration of this device in the laboratory be carried out with sufficient air flow (at least 1 m/s), but the reading should be carried out only after a thorough settling, which may take up to 4 hours.

Due to low IP20 protection, this device is not suitable for dusty or water-borne areas.

## U0541

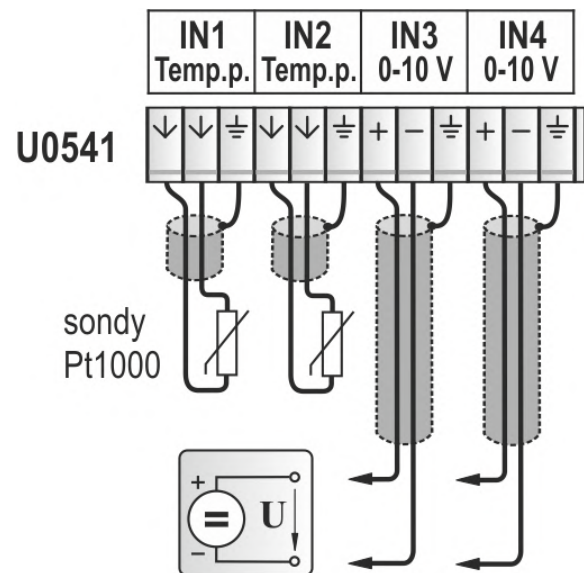


### Two-channel thermometer for external probes with 2 inputs 0-10 V

This model can measure up to two temperature values, which are sensed by outdoor Pt1000/0 series probes. In addition, it has two voltage inputs for monitoring voltage signal changes. Input signals are connected to a connecting block. The response to a temperature jump depends on the probe design. As a rule, this device is few times faster than the inner-sensor model. The maximum length of the temperature probe should not exceed 15 m; the maximum length of the voltage-input cable should not exceed 30 m. It is recommended to use shielded cables.

The device's ingress protection is IP 20. Due to low ingress protection the device is not suitable for using in dusty rooms or rooms exposed to water ingress. The battery in the device cannot be charged.

Connection mode:



For the procedure for connecting wires to the connecting block refer to Annex 4.

## U5841

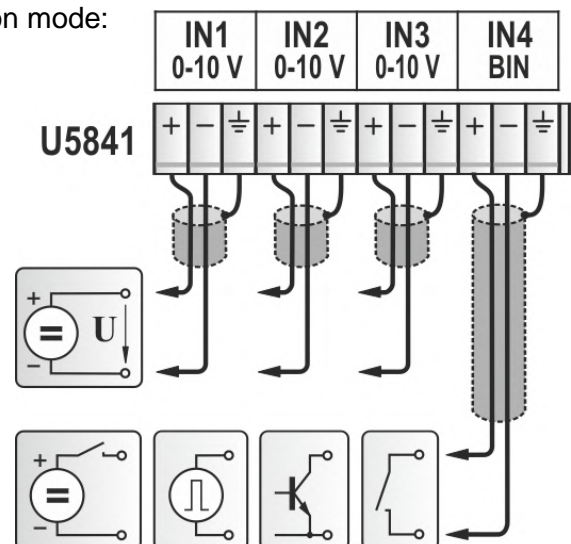


### Datalogger with 3 inputs 0 - 10 V and 1 binary input

This model is used to measure up to three voltage inputs 0 – 10 V DC while allowing one binary input to be monitored. The voltage inputs are not galvanically separated from one another. This means that the negative terminals ("-") are connected to each other. These facts must be taken into consideration when designing the device into the circuit. Incorrect connection may cause degradation of the measured values. Binary input serves to monitor voltage signals or signals coming from a voltage-free contact. The binary input changes are registered immediately, irrespectively of the recording interval setting. To safe record the input status, the signal must be present for at least 1 s. Binary input can capture connected/disconnected voltage status.

Input signals are connected to a connecting block. The device's ingress protection is IP 20. Due to its low ingress protection the device is not suitable for using in dusty rooms or rooms exposed to water ingress. The maximum length of the input wires should not exceed 30 m. It is recommended to use shielded cables. The battery in the device cannot be charged.

Connection mode:



For the procedure for connecting wires to the connecting block refer to Annex 4.



## U6841

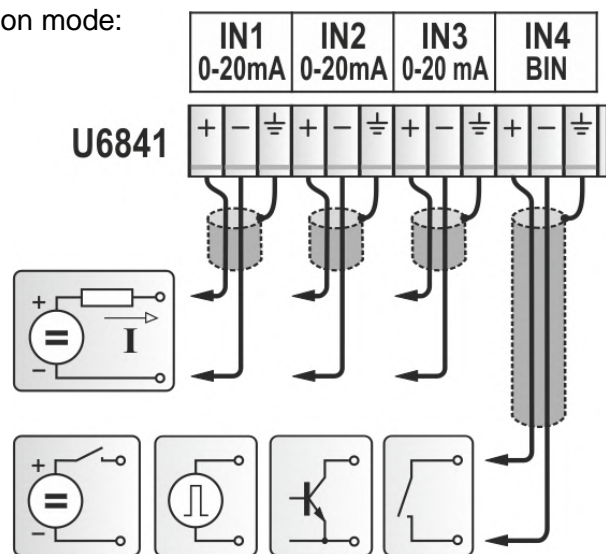


### Datalogger with 3 inputs 0 - 20 mA and 1 binary input

This model is used to measure up to three signals from current loops (0 to 20) mA DC while allowing one binary input to be monitored. The current inputs are passive and are not galvanically separated from one another. This means that the connected sensors **cannot** be powered by the current loop and the negative terminals ("-") are connected to each other. These facts must be taken into consideration when designing the device into the circuit. Incorrect connection may cause degradation of the measured values. Standard outputs (4 to 20) mA can also be measured with current inputs without any problems.

Binary input serves to monitor voltage signals or signals coming from a voltage-free contact. The binary input changes are registered immediately, irrespectively of the recording interval setting. To safe record the input status, the signal must be present for at least 1 s. This input can capture connected/disconnected voltage status. Input signals are connected to a connecting block. The device's ingress protection is IP 20. Due to its low ingress protection the device is not suitable for using in dusty rooms or rooms exposed to water ingress. The maximum length of the input wires should not exceed 30 m. It is recommended to use shielded cables. The battery in the device cannot be charged.

Connection mode:



For the procedure for connecting wires to the connecting block refer to Annex 4.



## U7844



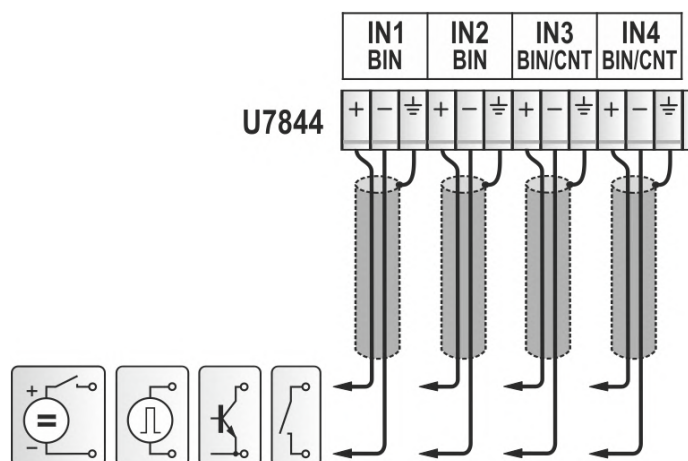
### Two-channel binary-input counter

This model includes four inputs. Two of them can function as counters, and all four inputs can function as binary inputs. Both counter and binary inputs serve to monitor voltage signals or signals coming from a voltage-free contact. The binary input changes are registered immediately, irrespectively of the recording interval setting. To safe record the input status, the signal must be present for at least 1 s. Binary inputs can capture connected/disconnected voltage status. The counter states are recorded according to the set *Record interval*. Input signals are connected to a connecting block. The device's ingress protection is IP 20. Due to its low ingress protection the device is not suitable for using in dusty rooms or rooms exposed to water ingress. The maximum length of the input wires should not exceed 30 m. It is recommended to use shielded cables. The battery in the device cannot be charged.

Optional input configurations:

- 2 x counter + 2 x binary input
- 1 x counter + 3 x binary input
- 4 x binary input

Connection mode:

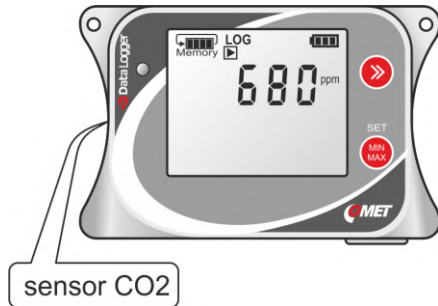


For the procedure for connecting wires to the connecting block refer to Annex 4.

---

## U8410

---



### Compact CO<sub>2</sub> concentration meter

This model is designed to measure concentration of CO<sub>2</sub> in the air by internal sensor. No additional probes or sensors can be connected. It is characterized by a simple and compact design and a relatively long response in the measured quantities, compare to model with external probes. The sensor is located under the grid on the side of the unit. The device is placed directly in the measured space. Accupack in the device can be charged. In battery mode, this model has significantly shorter battery life than models without CO<sub>2</sub> concentration measurement. For this reason, the measurement of CO<sub>2</sub> concentration does not occur as often as the measurement of other variables. By default, this is 2 minutes with the option of extending up to 10 minutes (option available in the COMET Vision software).

Due to low IP20 protection, this device is not suitable for dusty or water-borne areas.

---

# COMET Vision program

## Minimum HW and OS requirements \_\_\_\_\_

- Windows 7 operational system and higher, or Windows Server 2008 R2 operational system and higher
- 1.4 GHz processor speed
- 1 GB memory

## Program description \_\_\_\_\_

The *COMET Vision* program is used to set up COMET devices, to obtain the recorded data and the currently measured values.

The program is available free of charge ([www.cometsystem.com](http://www.cometsystem.com)), any number of devices can be connected simultaneously (e. g. data from several devices can be downloaded concurrently; several online displays may be running at a time). Moreover, some advanced features are available (e. g. graphs, statistic previews of registered data, user-defined online display, export into a database etc.).

The starting point for the program control is the menu situated in the left (optionally right) portion of the utility software and containing the basic options „Home“, „Devices“, „Files“, „Online display“.

## Adding the datalogger to a list of the COMET devices \_\_\_\_\_

The USB-connected device is automatically detected within approx. 5 seconds (required for connection initialization time). When connected to a computer, the device is automatically added to the COMET device list

A device can be added manually after clicking on the „Add device“ button. This can be found in the „Welcome“ screen, which is displayed upon the first program launching, later in the „Home“ or „Device“ tabs . A screen containing a connection type choice will appear. Here, USB should be selected. Subsequently, after „Finish“ button confirmation, the device will be added.

---

## Setting up the device

After the datalogger has been switched on, it starts measuring, data recording and evaluating alarms according to the device's setting up performed by the user. Complete device setup can be performed by the aid of the *COMET Vision* user software (hereinafter SW). During configuration editing the device can work normally, nevertheless the access to some functions (record download, contemporary configuration editing by other users) is limited.

### How to set up the device by means of a program

- Connect the datalogger to a computer, run the user SW.
- after starting the program, you will see all currently connected devices in the device list. Note: if you had SW on first and connected the datalogger then it will be automatically added to the instrument list.
- select the device you want to set up. The Device Home panel displays its current status and device information.
- Click on the *Configuration* button. The device configuration will be downloaded; you will be able to view it.
- If you change the setup of some item, the SW will pass over into the editing mode. During the editing procedure the other users access to the device will be limited.
- In case of a longer idle time the configuration editing mode will close automatically.
- Finally save the new configuration into the device (*Apply changes*).

### The device setup from a program (Configuration)

#### General - Information

---

In this panel basic device information is available. Here is above all its name (*Device name*), which serves to identify the device and the measurement values it provides. You can name the device e.g. according to its location or utilization, or you can leave its original setting. The maximum length of this description, in which you can use letters, numerals, underscores and further signs, is 31 characters. More information, which is indicated in this panel, is the device's serial number, model and firmware version.

---

## General - Preferences \_\_\_\_\_

In this panel you can choose the unit with which the device will measure the temperature (*Default temperature unit °C/°F*). With some devices the pressure unit can be chosen, too (*Default atmospheric pressure unit*). When the device does not measure the atmospheric pressure, but when it is necessary to know its value to measure some quantities (calculated humidity and CO<sub>2</sub>), the atmospheric pressure value must be entered (*Default value of atmospheric pressure in the area according to altitude*).

With barometers, the correction constant can be entered here for conversion to the equivalent sea level pressure. This constant can be entered either as a current pressure converted to the sea level found out e.g. at a near observatory, or through the medium of the elevation above sea level.

## General - Data and Time \_\_\_\_\_

Here you can set the date and time running inside the device (*Date and Time*). In the datalogger local current time is running according to your setting. By means of the *UTC Offset* choice you can fix its relation to the UTC. This information will be available for all time data provided by the device. The device cannot automatically pass over between summer and winter time.



**CAUTION** - after changing date and time the data recorded by the device will be deleted!

## Advanced - LCD Display \_\_\_\_\_

In this panel you can set a variety of display and keypad behaviour modes.

## Advanced – Other settings (Keypad, Device start, Energy) \_

In this panel you can set some functions of the datalogger's buttons, a delayed switching-on of the datalogger or the control of its switching-on by a binary input (according to type). In addition, the datalogger's switching-on and/or off by a button on the datalogger panel can be enabled or disabled.

In the standard mode the datalogger measures all channels using an interval of 10 s. This interval can be shortened to 1 s when a faster measuring procedure is required. A disadvantage of this mode is a higher power consumption. When the device is operated for a long time, there is no need for a fast response to the change in the measurement values and a long battery lifetime is what matters, you can set the measurement interval to 1 minute. The CO<sub>2</sub>

---

concentration channel measures with a 2-minute interval and can be extended up to 10 minutes to save more battery life. For details concerning power consumption, see Technical parameters.

## Record

---

The choices that are available in this panel serve to control the device's recording functions. The recording function may be switched on and off when needed (*Recording with interval*). However, if you switch the recording off and then you switch it on again, the memory free space may be reduced by up to 0.2 % of its total capacity. Use *Cyclic record* in the case that you require the device to continue recording even if the measurement data memory is filled up with data. In this case the oldest data is gradually overwritten by the newer data. If you do not use this choice, the data recording will be stopped on reaching the full storage capacity. Another important parameter is the *Record interval*. It can be set from 1sec/10sec/1min (according to settings in Advanced – Other settings (Energy) - Measurement Interval) to 24 hours (See Technical parameters). The recording takes place every time at integer multiples of the pre-set interval. For example, if you switch the device on at 5:05 and the recording interval has been set to 1 hour, the first data will be recorded at 6:00, the following data at 7:00 and so on.

The data recording can take place either incessantly, or only in the instant when some of the measurement values gets into an alarm condition (system alarms do not trigger the recording). Choose *Record mode*.

By default, the device records instantaneous readings at a preset recording interval. Another option is to select the record "average, minimum and maximum values per recording interval". Example: the selected recording interval will be 1h, then every 1h the three values - average, minimum, and maximum - will be stored for the past hour. Therefore, the next three values are saved again in an hour and will correspond to the values in the last hour interval. Attention - these Min / Max values are only related to the selected recording interval and are different from the global Min / Max values displayed on the instrument's display (these are for the entire period of operation since their last manual reset).

The record setting is completed by choosing measurement channels that are supposed to be recorded.



**CAUTION** - After changing cyclic ⇔ non-cyclic recording (in either direction) the data recorded in the device is to be deleted! SW warns you when saving a new configuration and gives you the option to save data.

---

## Channels

---

In this panel you can set all input channels. The assignment of the measurement value and its range to a channel is factory-set and cannot be changed. Supply a suitable name of the location to be measured for each channel and decide whether it will be switched on for measurement and for recording.

Further items, like those for entering the decimal place number, the name of the physical unit and the conversion of the measurement values by means of the so-called *User calibration* are available in channels with voltage and current inputs only. In these inputs no physical quantity unit is displayed on the device's LCD display. If the value cannot be displayed on the device's display for a large number of digits, then Hi (if greater than the displayable number) or Lo (if less than the displayable number) is displayed. However, this error message only concerns the display on the device display, not the measurement and recording.

*An example of user-defined calibration for a sensor having a 4 to 20 mA current output. The sensor is connected to the datalogger's current input; the sensor's measurement range is -30 to +80 °C:*

*Lower point A: Input value: 20 will be shown as 80  
Upper point B: Input value: 4 will be shown as -30*

In a channel for external Pt 1000 probes there exists the possibility to enter the probe parameters to correct the measurement error caused by probe cable length.

In binary channels you can decide whether a voltage signal or a contact (an open-collector transistor) will be connected to the input. Then enter textual descriptions of the states for both input levels. In this way the states will be displayed in the record and in the Online display. At the same time, from the menu, choose symbols for displaying these states by the device.

For a counter channel, decide whether to report an error or continue from zero after it is overflowed. . The range is 24 bits, it means max. 16 777 215.

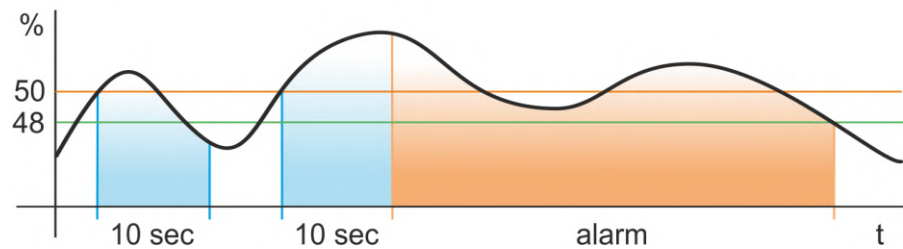
In the next step, set alarm states for each measured variable. You can set up to 2 alarms for each measured quantity (alarm 1 and alarm 2 buttons). Each alarm must be enabled (on/off) first.

Furthermore, choose whether the alarm should arise from exceeding the limit value or from dropping under it (*value is greater than / value is lower than*). Enter this limit value. In binary inputs, only the input state must be defined. Subsequently, the alarm delay time must be entered (*for the duration of*). This delay time serves to eliminate contingent momentary overshoots of the limit value. The hysteresis, too, has a similar significance (*Alarm hysteresis*). It prevents the alarm from

---

oscillating in the case that the measurement value varies around the alarm limit value. It is not recommended to set it equal zero.

Alarm will be activated if  
value is greater than  % condition limit  
for the duration of  duration  
Hysteresis  % hysteresis



Thus, the setting for generating an alarm is completed. It remains to decide, whether the alarm should be indicated optically by means of a LED diode on the device (*Optical signalling - LED*) or acoustically (*Activate internal acoustic signalling*)

## Alarm events

---

The device makes it possible to evaluate alarm situations, which can either originate from the measurement data, or they can notify of a certain device condition (exceeding the memory occupancy limit, system alarms). The individual alarm situations can be assigned the way of their signalling to the user.

An alarm originating from a measurement value is every time signalled on the device display by means of a bell icon ahead of the corresponding measurement value. General information about any alarm occurring in the device is displayed by **ALARM** warning on the device display (except for an exceeded memory occupancy limit, which is signalled by a flashing **Memory** sign).

An alarm can be signaled by a short flashing of the LED diode on the device panel (Optical signalling - LED). In the case that only one alarm originating from a measurement value is active, a yellow LED is flashing. In the case that more alarms occur simultaneously,



---

or a system alarm or an alarm originating from an exceeded memory occupancy limit occur, a red LED diode is flashing.

Besides, an alarm may be signalled acoustically by a characteristic sound, which is repeated at regular intervals. If the device is connected to an external power supply, the acoustic signal is more intense than with battery power.

The operator alerted this way can confirm the acoustical or optical (LED diode) signal and so mute it until a new alarm occurs (See the chapter *Controlling the datalogger from a keypad*).

## Alarm events - Preferences

---

In the standard mode the alarm lasts only during the time when the measurement values lie outside the allowed limits. As soon as they return inside the allowed limits, the alarm will cease. In some cases, it is desirable for the user to be informed of an alarm that has occurred during his absence. If you enable the *Latched alarms* choice in the device setting, then every alarm occurring in the device remains active until operator intervenes, irrespective of the measurement values (i.e. until the time of manual cancel). Latched Alarms Memory can be deleted either from SW Vision and/or by device restart by buttons (the device Off and On). The availability of these choices depends on device configuration settings.

Moreover, alarm evaluation may be enabled here for selected days of the week only and for certain hours of the day. This setting can also be used for system alarms, but it should not be combined with the above described option *Latched alarms*.

## Alarm events – Mute of signalling

---

In this panel you can enable or disable **the alarm signalization deactivation - Mute**. Depending on the device configuration, deactivation of the signalling can be done either by SW Vision and / or from the device keypad (menu item ALARM on LCD).

Mute of signalling means either optical, flashing LED or acoustic beeping. This function enables to deactivate (silence) the active alarm signalling during its duration. This deactivation can be according to the configuration in the device configuration:

- continuous - optical and/or acoustic signalling is deactivated until the next alarm occurs. In this case, the *"Reactivate muted alarm signalling"* item must be deactivated in the device configuration.
- time-limited (temporary) - if the alarm is still active after the preset time interval has elapsed since the alarm signal is cancelled, the optical and/or acoustic signalling will be reactivated again. The time interval is set in the device configuration by activating the *"Reactivate muted alarm signalling "* item.

---

## Alarm events - Memory occupancy

Use this panel setting, if an overrun of the pre-set limit value of the data memory occupancy needs to be signalled. The signalling mode may be selected optionally as optical (by means of a LED diode) or acoustical.

## Alarm events - System failure

These panel choices make it possible to set the so-called system alarms, which indicate some technical failure of the datalogger or of some of the probes connected to it. The signalling mode may be selected optionally as optical (every time by means of a red LED diode) or acoustical.

The device can respond to the following conditions:

- a) *Measurement error on any channel* ..... e. g. a probe has been disconnected or broken.
- b) *Device configuration error* ..... the device configuration has been disturbed unexpectedly.
- c) *External power failure* ..... the USB connector of the device can be permanently connected to external power (USB charger or computer). This state can therefore be used as an external power failure indicator.
- d) *Low battery* .... it informs that it is necessary to connect external power and charge the internal battery, see chapter "Running the device - Charging the batteries".
- e) *Time setting error or battery is discharged* .... the battery has run out of charge.

## Security

When this service is activated in the device configuration, the user is prompted to set the password for the highest user - **Administrator**. Subsequently, the device allows users to activate **User1**, **User2** and **PowerUser** and set their own login passwords.

The rights of each user are listed in the following table:

User	Rights
<b>Administrator</b>	<ul style="list-style-type: none"><li>- Edit all parameters of device configuration</li><li>- Download and erase recorded data</li><li>- Go to service mode</li></ul>
<b>PowerUser</b>	<ul style="list-style-type: none"><li>- Edit device configuration without security parameters, change device time setting</li><li>- Download and erase recorded data</li></ul>

---

<b>User2</b>	<ul style="list-style-type: none"><li>- Download and erase recorded data</li><li>- Switch On/Off device</li></ul>
<b>User1</b>	<ul style="list-style-type: none"><li>- Download recorded data</li><li>- Switch On device only (cannot switch it Off)</li></ul>

From the moment the configuration is saved to the instrument, the instrument will require a username and password each time it is connected to the SW. You will not be able to connect the device without entering this information.

## Summary

---

Printable summary of all device setting.

---

## Application notes

### Operation with permanently connected USB cable \_\_\_\_\_

Datalogger is primarily intended to be operated as an autonomous unit powered by its built-in batteries. Nevertheless, you can also operate it with permanently connected USB cable. In this case the device is not protected against dust and water ingress, and, consequently, it cannot be operated in locations in which such ingress protection is required. Models with CO<sub>2</sub> concentration sensors include Li-Ion accupack that can be charged from a PC or an external charger. The datalogger's internal charging circuitry controls the battery charging process based on its instantaneous condition, thus protecting it against damage. The charging process will run only if the device's internal temperature ranges between 0 °C and 40 °C. If this is not the case, the battery will not charge even if the charger is connected. Other models equipped with a primary lithium battery cannot be charged.

### Device switching on and off \_\_\_\_\_

If you switch on and off the device frequently, then its keypad and both functions, i.e. device switching on and off from the keypad, must be enabled in the device settings. Another option is to set the date and time when you want the device to turn itself on automatically. Once reached, it will be permanently switched on. For binary input dataloggers, it is possible to control the recording on and off by the level at this input (voltage or contact).

### Measuring calculated humidity values \_\_\_\_\_

From among the calculated humidity values the device can provide the dew-point temperature only. Other relevant calculated humidity values can be obtained by subsequent data processing in the SW.

### What is the purpose of the system alarms and how to work with them \_\_\_\_\_

System alarms are useful for performing the functionality diagnosis of the device and of the probes connected to it. A system alarm notifies of a failure or damage of the device or of its probe. On the contrary, alarms on measurement values indicate a failure of the technology the device is monitoring.

---

## Problems with measurement correctness \_\_\_\_\_

Incorrect measurement values of temperature or relative humidity may, in most cases, be caused by an unsuitable probe location or improper methodology. Some notes concerning these problems are mentioned in the following chapter *Recommendations for operation and maintenance*. In probes using current and voltage outputs incorrect measurement results may be induced by latent coupling between individual components, e.g. across supply sources or through improperly connected cable shielding.

If the device indicates an error condition, see detailed information in *Annex 1, selected error messages*.

Another problem area relates to random peaks occurring within the measurement values. Their most frequent reason is a source of electromagnetic interference situated near the device or the pertaining cables. Attention must be paid also to possible damaged portions of the cable insulation. Prevent accidental contacts between wires and adjacent conductive parts.

## Problems arising during communication with a computer \_\_\_\_

For communication with a computer a cable should be used that is not longer than 5 m. Check that all connectors are properly seated. It is especially the USB-C connector that must be properly pushed into the receptacle. Cable disconnecting and subsequent connecting during communication can cause a temporary non-availability of the USB equipment in the computer. This may be corrected by closing the *COMET Vision* utility program (including the communication service) and starting it subsequently. Restart the computer, if the above mentioned measure is not the proper remedy. Check whether new HID equipment will appear in *Device administrator* after the device has been connected to the computer.

---

# Recommendations for operation and maintenance

## Datalogger operation in several application areas\_\_\_\_\_

Before putting the device into operation, it should be considered, if its usage is suitable for the intended purpose. In connection with this consideration the device's optimum settings should be determined. In the case that the device is part of a larger measurement system, instructions for its metrological and operational checks should be developed

### Inadvisable or hazardous applications:

This datalogger is not intended for such applications in which the failure of its functioning could directly endanger life and health of humans and animals, or the functioning of other equipment with life-sustaining functions. In applications the failure or malfunction of which could result in severe property damage it is recommended to provide the system with suitable and independent signalling equipment which is able to evaluate such a condition and, in case of failure, to prevent the above mentioned damages (See the chapter „*Safety measures and unauthorized manipulations*“).

### Device positioning:

Adhere to principles and procedures mentioned in this manual. Try to choose such a place to position the device, where the negative influence caused by environment is as low as possible. When performing measurements in refrigerators, metal boxes, metal chambers and the like, it is every time advisable, as far as the device's operation and reliability is concerned, to place the device outside, leaving only the sensors and probes inside the measured environment.

### Positioning of temperature sensors:

These sensors should be placed in locations where sufficient air circulation is ensured and where the most critical location is supposed (according to the application requirements). To prevent heat conduction through the sensor cables from undesirable influencing the measurement value, the sensor must be properly inserted into the measured environment. *If you follow the temperature distribution in an air-conditioned storehouse, do not place the sensor into the direct air stream generated by the air-conditioning unit. As a matter of fact, the temperature distribution in large-chamber refrigerators may be quite inhomogeneous, the temperature differences reaching up to 10 °C. Similar dispersion can be found inside deep-freezing boxes (e.g. in those used for blood preservation by deep freezing).*

---

### Positioning of humidity sensors:

The positioning of humidity sensors depends again on the application requirements. Humidity measurements in refrigerators without additional humidity stabilization can be very questionable. When the cooling is switched on/off, there may be significant changes in humidity in the range of tens of percent, even if the mean value is correct. Moisture condensation on the ventricle walls is common.

## Recommendations for metrological checks \_\_\_\_\_

Metrological verification is carried out according to the requirements of the particular application at intervals fixed by the user. In some cases, calibration must be performed by an independent laboratory that is accredited by the government.

## Recommendations for regular checks \_\_\_\_\_

It is recommended to check the system in which the instrument is incorporated at regular intervals. Checking interval and inspection scope depend on the particular application and the user's internal regulations. In fixed installations following checks are recommended to be performed:

- Metrological verification;
- Regular checks fixed by the user;
- Judgement of all problems that has occurred since the last check;
- Visual check of the device, connectors condition, cover integrity;
- Functionality check (checking of features utilized by the application):
  - a) Check of the transfer of the actual recorded value into the computer, record evaluation
  - b) Functionality check of individual alarms. This should be done by changing the input quantity to give rise to an alarm. Then check it visually on the display.
  - c) Judgement of the battery condition on the display.
- Check of the cabling. To be checked: Condition of cable connections and cable surface integrity, proper cable routing, no additional parallel heavy-current conductors.
- Check of all sensors. This is to be performed visually. Check for water ingress, check for suitable sensor location with respect to correct measurement conditions and possible signal deteriorating by interference.
- The check results are to be recorded.

---

## Battery replacement procedure



**WARNING** – Models with CO<sub>2</sub> concentration measurement (U3430, U4440) are powered by an internal rechargeable Li-ion accupack. Its exchange is possible only by the manufacturer or authorized service!

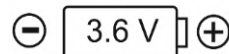
Battery replacement on other models can be performed only person who knows the principles of safe handling of lithium primary batteries. Do not dispose of batteries in a fire, expose them to high temperatures, low air pressure, and do not mechanically damage them. Used batteries should be taken to hazardous waste.

If a weak battery symbol appears on the display during operation, it is advisable to replace the battery within 2-3 weeks. A weak battery indication may also occur if the sensor is operated at low temperatures even when the battery is still usable (outdoor use usually at night). During the day (after increasing temperatures), the low battery indication disappears. In this case, it is not necessary to change the battery.

A critically weak battery that can fail at any time is indicated by the blinking empty battery symbol on the display. Replace the battery as soon as possible.

Note: When the device is operating at very low temperatures, the empty battery symbol on the sensor display may not be visible.

To replace the battery, unscrew the backside lid, remove the old battery by pulling it behind the clip, and insert the new battery with the correct polarity. Refer to the battery symbol + (plus pole) printed on the electronics board at the battery location.



If you order a new battery from the manufacturer of the device (COMET SYSTEM, s.r.o., order code A4203), you will also receive it with the clip. Check the seal integrity in the encoder housing and reinstall the cover.

## Service recommendations

Engineering support and service activities are provided by the device distributor. His contact person's address is given in the Certificate of warranty included with the product.



**WARNING** - Unskilled intervention into the device may lead to loss of warranty!



---

# Technical parameters

## Power supply

The device is powered by an internal lithium battery, accessible after unscrewing the cover (see Battery replacement procedure). Models with CO<sub>2</sub> concentration measurement (U3430, U4440) are powered by an internal rechargeable Li-ion accupack. Its exchange is possible only by the manufacturer or authorized service!

### Battery

---

#### **Battery model used:**

**U2422, U3430, U4440, U8410 models:** BAT26001S2P Li-ion 2 pack US18650VTC5 5200 mAh SONY (2x 2600mAh)

**Other:** Primary 3.6 V lithium battery, size AA, capacity 2200 mAh, recommended type: Tadiran SL-760 / S, 3.6 V, 2200 mAh

**Operating time:** Months to several years according to the device setting. Devices with a CO<sub>2</sub> concentration sensor have a higher battery consumption, so they are fitted with a charging module and accupack. Follow the battery status, replace it if necessary, recharge the U3430, U4440.

### Battery charger (models U2422, U3430, U4440, U8410 only)

---

#### **Recommended charger type:**

Commonly used chargers, such as mobile phone chargers with a USB type C connector, such as Sunny SYS 1561-1105

#### **Maximum current from the USB connector:**

- Provided that the datalogger is connected to the computer and a successful enumeration takes place, the input current limit will be set to 500mA.
- If no successful enumeration takes place within 10 s after powering up the device (the device is not connected to the computer), then the input current limit is increased to 1000 mA. However, when the input voltage drops, the current drawn from the connector will decrease automatically.

---

**Charging time:**

Charging time depends on the current battery discharge level. Since the parasitic heat is generated when the internal battery is charging, the charging speed **with the power on is deliberately slowed down** to prevent excessive influence of measured values. If you want to charge the device as soon as possible, turn it off first. When the device is turned off, the fast charging mode is automatically activated. Fully charged battery is indicated on the display of the device usually within 6 hours.

**Charging conditions:**

The charging process only runs when the internal temperature ranges between 0 °C and 40 °C.

## USB communication interface

**Compatibility:**

USB1.1, USB 2.0, USB3.0

**Connector:**

USB-C

## Measurement, data storage and real time circuitry

**Measurement Interval:**

10 s as standard (CO<sub>2</sub> sensor 2 min)  
1 s in fast mode  
1 minute in economic mode (CO<sub>2</sub> sensor 10 min)

**Recording interval:**

(1 s, 2 s, 5 s, 10 s, 15 s, 30 s)  
1 min, 2 min, 5 min, 10 min, 15 min, 30 min,  
1 h, 2 h, 3 h, 4 h, 6 h, 8 h, 12 h, 24 h  
*You cannot select a shorter Recording interval than the Measurement interval*

**Storage capacity:**

Maximum 500 000 values in non-cyclic record  
Maximum 350 000 values in cyclic record

---

## Parameters of datalogger inputs

### U0110

---

**Measured value:**

Internal temperature

**Temperature range:**

(-30 to +70) °C

**Accuracy:**

± 0.4 °C

**Response time:**

T63 < 6 min, t90 < 15 min (temperature jump 20 °C, air circulation ca 1 m/s)

**Display resolution:**

0.1 °C

**Recommended calibration interval:**

2 years

### U0111

---

**Measured values:**

1, 2 or 4 x temperature sensed by an external COMET Pt1000/E series probe

**Temperature range:**

(-90 to +260) °C, Pt1000/3850 ppm sensor  
Measuring current: ca 0.5 mA with pulses of ca 60 ms length

**Input accuracy (without probes):**

±0.2 °C in a range of -90 to +100 °C  
±0.2 % of the measurement value in a range of +100 to +260 °C

The accuracy of the device with a temperature probe connected to it is determined by the above input accuracy and the accuracy of the probe employed.

**Connection mode:**

Two-wire connection with the possibility of compensation of the error caused by the cable resistance. The probe is provided with a 3-pin M8 ELKA 3008V connector. Its connection mode is shown in Annex 2.

The recommended length of the Pt1000/E probe cable is maximum 15 m, a length of 30 m must not be exceeded. Shielded cables are recommended.

---

**Response time:**

Is determined by the response time of the used probe.

**Display resolution:**

0.1 °C

**Recommended calibration interval:**

2 years

---

**U0122****Measured values:**

Internal temperature  
1x External temperature sensed by an external  
COMET Pt1000/E series probe

**Range:**

Internal temperature: (-30 to +70) °C  
External temperature input:  
(-90 to +260) °C, Pt1000/3850 ppm sensor  
Meas. current: ca 0.5 mA with ca 60 ms pulses

**Accuracy:**

Internal temperature:  $\pm 0.4$  °C  
External temperature input (without probe):  
 $\pm 0.2$  °C in a range of -90 to +100 °C  
 $\pm 0.2$  % of the measurement value in a range  
of +100 to +260 °C  
The accuracy of the device with a temperature  
probe connected to it is determined by the above  
input accuracy and the accuracy of the probe  
employed.

**Connection mode (external probe):**

Two-wire connection with the possibility of  
compensation of the error caused by the cable  
resistance. The probe is provided with a 3-pin M8 ELKA  
3008V connector. Its connection mode is shown  
in Annex 2.

The recommended length of the Pt1000/E probe cable  
is maximum 15 m, a length of 30 m must not be  
exceeded. Shielded cables are recommended.

**Response time:**

Internal temperature:  $T_{63} < 6$  min,  $t_{90} < 15$  min  
(temperature jump 20 °C, air circulation ca 1 m/s)  
External temperature input: Is determined by  
the response time of the used probe.

**Display resolution:**

Internal temperature: 0.1 °C

---

External temperature input: 0.1 °C, 16-bit converter range

**Recommended calibration interval:**

2 years

U0121, U0141

---

**Measured values:**

1, 2 or 4 x temperature sensed by an external COMET Pt1000/E series probe

**Temperature range:**

(-200 to +260) °C, Pt1000/3850 ppm sensor  
Measuring current: ca 0.5 mA with pulses of ca 60 ms length

**Input accuracy (without probes):**

±0.2 °C in a range of -200 to +100 °C  
±0.2 % of the measurement value in a range of +100 to +260 °C

The accuracy of the device with a temperature probe connected to it is determined by the above input accuracy and the accuracy of the probe employed.

**Connection mode:**

Two-wire connection with the possibility of compensation of the error caused by the cable resistance. The probe is provided with a 3-pin M8 ELKA 3008V connector. Its connection mode is shown in Annex 2.

The recommended length of the Pt1000/E probe cable is maximum 15 m, a length of 30 m must not be exceeded. Shielded cables are recommended.

---

**Response time:**

Is determined by the response time of the used probe.

**Display resolution:**

0.1 °C

**Recommended calibration interval:**

2 years

---

**U2422**

---

**Measured values:**

Barometric pressure and the concentration of CO<sub>2</sub> in the air.

**Ranges:**

Barometric pressure (absolute): 700 hPa to 1100 hPa  
Concentration of CO<sub>2</sub>: 0 to 1 % ... probe CO2R1-x  
0 to 5 % ... probe CO2R5-x

**Accuracy:**

Barometric pressure: ± 1.3 hPa at 23 °C  
CO<sub>2</sub> concentration in the air:

**Probe CO2R1-x:**

accuracy:

±(0.01+0.05xMV) [% CO<sub>2</sub> at 23 °C and 1013 hPa]

temperature dependency in range -20...45 °C:

typ. ± (0.0001 + 0.001xMV) [% CO<sub>2</sub>/°C]

*MV...measured value*

**Probe CO2R5-x:**

accuracy:

±(0.075+0.02xMV) [% CO<sub>2</sub> at 23 °C and 1013 hPa]

temperature dependency in range -20...45 °C:

typ. -0,003xMV [% CO<sub>2</sub>/°C]

*MV...measured value*

**Response time (air streaming velocity approx. 1 m/s) <sup>(\*)</sup>:**

Barometric pressure: t90 <44s

CO<sub>2</sub> concentration in the air: according to the set CO<sub>2</sub> measurement interval (2 min / 10 min)

<sup>(\*)</sup> *Important information is provided in the chapter  
Manufactured models – U4440*

**Display resolution:**

Barometric pressure: 1 hPa

CO<sub>2</sub> concentration in air: 1 ppm

**Recommended calibration interval: 2 years**

---

## U3120

---

### Measured values:

Internal temperature, relative humidity.  
Dew-point temperature calculated from the internal temperature and relative humidity.

### Ranges:

Temperature: (-30 to +70) °C  
Relative humidity: (0 to 100) %RH without lasting condensation <sup>(\*)2</sup>  
Dew-point temperature: -90 to +70 °C

### Accuracy:

Temperature: ± 0.4 °C  
Relative humidity:  
- sensor accuracy ±1.8 %RH  
(at 23 °C in the range of 0 to 90 %RH)  
- hysteresis < ±1 %RH  
- non-linearity < ±1 %RH  
- temperature error: 0.05 % RH/°C (0 °C to +60 °C)  
  
Dew-point temperature: ±1.5 °C at an ambient temperature of T < 25 °C and RH > 30 %.  
For details see diagrams in Annex 3.

### Response time (air streaming velocity approx. 1 m/s) <sup>(\*)2</sup>:

Temperature: t<sub>63</sub> < 2 min, t<sub>90</sub> < 8 min (temperature jump 20 °C)  
Relative humidity: t<sub>63</sub> < 45 s, t<sub>90</sub> < 4 min, t<sub>99</sub> < 4 h.  
(humidity jump 30 %RH, constant temperature)

### Display resolution:

Temperature incl. dew-point temperature: 0.1 °C  
Relative humidity: 0.1 %RH.

### Recommended calibration interval:

1 year

<sup>(\*)2</sup> *Important information is provided in the chapter  
Manufactured models – U3120*

---

## U3121

---

### Measured values:

Temperature and relative humidity measured by an external Digi/E series probe. The dew-point temperature is calculated from the measured temperature and the relative humidity.

---

**Range, accuracy and response time:**

Depending on the connected Digi/E series probe.

**Connection mode:**

Digi/E series probe. The probe is provided with a 4-pin M8 ELKA 4008V connector. Its connection mode is shown in Annex 2. The length of the Digi/E probe cable must not exceed 15 m.

**Display resolution:**

Temperature incl. dew-point temperature: 0.1 °C.  
Relative humidity: 0.1 %RH.

**Recommended calibration interval:**

1 year (according to the connected probe)

---

**U3631****Measured values:**

Internal temperature, relative humidity.

1x External temperature measured by an external COMET Pt1000/E probe.

Dew-point temperature calculated from the internal temperature and relative humidity.

Difference of external temperature and dew point temperature.

**Ranges:**

Internal temperature: (-30 to +70) °C

Relative humidity: (0 to 100) %RH without lasting condensation <sup>(\*)2</sup>.

Dew-point temperature: -90 to +70 °C

External temperature input:

(-90 to +260) °C, Pt1000/3850 ppm sensor

Measuring current: approx. 0.5 mA in pulse length approx. 60 ms

**Accuracy:**

Internal temperature: ± 0.4 °C

Relative humidity:

- sensor accuracy ±1.8 %RH

(at 23 °C in the range of 0 to 90 %RH)

- hysteresis < ±1 %RH

- non-linearity < ±1 %RH

- temperature error: 0.05 % RH/°C (0 °C to +60 °C)

Dew-point temperature: ±1.5 °C at an ambient temperature of T < 25 °C and RH > 30 %.

For details see diagrams in Annex 3.

External temperature input (without probe):

± 0.2 °C in the range -90 °C to +100 °C



---

± 0.2 % of the measured value in the range  
+100 ° C to +260 ° C

The accuracy of the device with attached  
temperature probe is determined by the above  
input accuracy and the accuracy of the probe.

**Connection method (external probe):**

Two-wire connection with the possibility of  
compensation for the cable wire resistance. The probe  
is terminated by a 3-pin M8 ELKA 3008V connector.  
The method of interconnection is given in Annex 2.

The recommended length of probes Pt1000/E is up to  
15 m, not longer than 30 m. It is recommended to use  
shielded cables.

**Response time (air streaming velocity approx. 1 m/s) <sup>(\*)2</sup>:**

Internal temperature: t63 < 2 min, t90 < 8 min  
(temperature jump 20 °C)

Relative humidity: t63 < 45 s, t90 < 4 min, t99 < 4 h.  
(humidity jump 30 %RH, constant  
temperature)

**Display resolution:**

Internal temperature incl. dew-point temperature: 0.1 °C

Relative humidity: 0.1 %RH

External temp. input: 0.1 °C, 16-bit converter range

**Recommended calibration interval:**

1 year

<sup>(\*)2</sup> *Important information is provided in the chapter  
Manufactured models – U3631*

## U3430

---

**Measured values:**

Internal temperature, relative humidity and the  
concentration of CO<sub>2</sub> in the air. Dew-point temperature  
calculated from the internal temperature and relative  
humidity.

**Ranges:**

Temperature: (-20 to +60) °C

Relative humidity: (0 to 100) %RH without lasting  
condensation <sup>(\*)2</sup>.

Concentration of CO<sub>2</sub> in the air: 0 to 5000 ppm (range  
0 to 10000 ppm on request)

Dew-point temperature: -90 to +60 °C

**Accuracy <sup>(\*)1</sup>:**

Temperature: ± 0.4 °C

---

Relative humidity:

- sensor accuracy  $\pm 1.8$  %RH  
(at 23 °C in the range of 0 to 90 %RH)
- hysteresis  $< \pm 1$  %RH
- non-linearity  $< \pm 1$  %RH
- temperature error: 0.05 % RH/°C (0 °C to +60 °C)

CO<sub>2</sub> concentration in the air:

- 50 + 0.03 × MV [ppm CO<sub>2</sub> at 23 °C and 1013 hPa]
- Temperature dependency in range -20...45 °C:  
typ.  $\pm (1 + MV / 1000)$  [ppm CO<sub>2</sub>/°C]
- MV...measured value*

Dew-point temperature:  $\pm 1.5$  °C at an ambient temperature of T < 25 °C and RH > 30 %.  
For details see diagrams in Annex 3.

**Response time (air streaming velocity approx. 1 m/s) <sup>(\*2)</sup>:**

Temperature: t<sub>63</sub> < 2 min, t<sub>90</sub> < 8 min (temperature jump 20 °C)

Relative humidity: t<sub>63</sub> < 45 s, t<sub>90</sub> < 4 min, t<sub>99</sub> < 4 h.  
(humidity jump 30 %RH, constant temperature)

CO<sub>2</sub> concentration in the air: according to the set CO<sub>2</sub> measurement interval (2 min / 10 min)

**Display resolution:**

Temperature incl. dew-point temperature: 0.1 °C  
Relative humidity: 0.1 %RH  
CO<sub>2</sub> concentration in air: 1 ppm

**Recommended calibration interval:**

1 year

<sup>(\*1)</sup> *During battery charging temporary measurement accuracy deterioration may be found.*

<sup>(\*2)</sup> *Important information is provided in the chapter Manufactured models – U3430*

## U4130

---

**Measured values:**

Internal temperature, relative humidity and barometric pressure. Dew-point temperature calculated from the internal temperature and relative humidity.

**Ranges:**

Temperature: (-30 to +70) °C

Relative humidity: (0 to 100) %RH without lasting condensation <sup>(\*2)</sup>.

Barometric pressure (absolute): 600 hPa to 1100 hPa

Dew-point temperature: -90 to +70 °C

---

**Accuracy:**

Temperature:  $\pm 0.4$  °C

Relative humidity:

- sensor accuracy  $\pm 1.8$  %RH

- (at 23 °C in the range of 0 to 90 %RH)

- hysteresis  $< \pm 1$  %RH

- non-linearity  $< \pm 1$  %RH

- temperature error: 0.05 % RH/°C (0 °C to +60 °C)

Barometric pressure:  $\pm 1.3$  hPa at 23 °C

Dew-point temperature:  $\pm 1.5$  °C at an ambient

temperature of  $T < 25$  °C and RH  $> 30$  %.

For details see diagrams in Annex 3.

**Response time (air streaming velocity approx. 1 m/s) <sup>(\*)2</sup>:**

Temperature:  $t_{63} < 2$  min,  $t_{90} < 8$  min (temperature jump 20 °C)

Relative humidity:  $t_{63} < 45$  s,  $t_{90} < 4$  min,  $t_{99} < 4$  h.  
(humidity jump 30 %RH, constant temperature)

Barometric pressure:  $t_{90} < 44$ s

**Display resolution:**

Temperature incl. dew-point temperature: 0.1 °C

Relative humidity: 0.1 %RH

Barometric pressure: 1 hPa

**Recommended calibration interval:**

1 year

<sup>(\*)2</sup> *Important information is provided in the chapter  
Manufactured models – U4130*

---

**U4440****Measured values:**

Internal temperature, relative humidity, barometric pressure and the concentration of CO<sub>2</sub> in the air.

Dew-point temperature calculated from the internal temperature and relative humidity.

**Ranges:**

Temperature: (-20 to +60) °C

Relative humidity: (0 to 100) %RH without lasting condensation <sup>(\*)2</sup>.

Barometric pressure (absolute): 700 hPa to 1100 hPa

Concentration of CO<sub>2</sub> in the air: 0 to 5000 ppm (range 0 to 10000 ppm on request)

Dew-point temperature: -90 to +60 °C

---

**Accuracy**<sup>(\*)</sup>:

Temperature:  $\pm 0.4$  °C

Relative humidity:

- sensor accuracy  $\pm 1.8$  %RH

(at 23 °C in the range of 0 to 90 %RH)

- hysteresis  $< \pm 1$  %RH

- non-linearity  $< \pm 1$  %RH

- temperature error: 0.05 % RH/°C (0 °C to +60 °C)

Barometric pressure:  $\pm 1.3$  hPa at 23 °C

CO<sub>2</sub> concentration in the air:

$50 + 0.03 \times MV$  [ppm CO<sub>2</sub> at 23 °C and 1013 hPa]

Temperature dependency in range -20...45 °C:

typ.  $\pm (1 + MV / 1000)$  [ppm CO<sub>2</sub>/°C]

*MV...measured value*

Dew-point temperature:  $\pm 1.5$  °C at an ambient

temperature of  $T < 25$  °C and RH  $> 30$  %.

For details see diagrams in Annex 3.

<sup>(\*)</sup> *During battery charging temporary measurement accuracy deterioration may be found.*

**Response time (air streaming velocity approx. 1 m/s)**<sup>(\*)</sup>:

Temperature:  $t_{63} < 2$  min,  $t_{90} < 8$  min (temperature jump 20 °C)

Relative humidity:  $t_{63} < 45$  s,  $t_{90} < 4$  min,  $t_{99} < 4$  h.  
(humidity jump 30 %RH, constant temp.)

Barometric pressure:  $t_{90} < 44$ s

CO<sub>2</sub> concentration in the air: according to the set CO<sub>2</sub> measurement interval (2 min / 10 min)

<sup>(\*)</sup> *Important information is provided in the chapter  
Manufactured models – U4440*

**Display resolution:**

Temperature incl. dew-point temperature: 0.1 °C

Relative humidity: 0.1 %RH

Barometric pressure: 1 hPa

CO<sub>2</sub> concentration in air: 1 ppm

**Recommended calibration interval:** 1 year

U0541

---

**Measured values:**

2 x temperature by an external COMET Pt1000/0 probe

2 x voltage input 0 - 10 V DC.

---

**Range:**

Temperature: (-200 to +260) °C, Pt1000/3850 ppm,  
measuring current: ca 0.5 mA in ca 60 ms  
long pulses

Voltage: (0-10) V DC, input resistance: approx. 130 kΩ

**Input accuracy (without probes):**

Temperature:

±0.2 °C in the range of -200 to +100 °C

±0.2 % of the measurement value in the range  
of +100 to +260 °C

Voltage: ±10 mV

The accuracy of the device with the temperature probe connected is determined by the above input accuracy and the accuracy of the probe used.

**Connection mode:**

Split connection block, maximum wire cross section 1.5 mm<sup>2</sup>. Recommended length of the Pt1000 probe cables is maximum 15 m, a length of 30 m should not be exceeded. Maximum length of the voltage inputs cables is 30 m. It is recommended to use shielded cables.

CAUTION: The inputs are not galvanically separated!

**Response time:**

Is determined by the response time of the used probe.

**Resolution:**

0.1 °C converter range: 16 bits

**Recommended calibration interval:**

2 years

## U5841

---

**Measured values:**

3 x voltage input (0 - 10) V

1 x binary input. This input can be configured to accept voltage signals or a voltage-free contact (as e.g. an open-collector transistor). This input can capture connected/disconnected voltage status.

**Range and input levels:**

Voltage inputs:

Range: (0 to 10) V DC

Accuracy: ± 10 mV

Input resistance: approx. 130 kΩ

---

Binary input configured for voltage measurements:

Input voltage for the „L“ level: < 0.8 V<sup>(\*)</sup>

Input voltage for the „H“ level: > 2 V

Minimum applicable voltage: 0 V

Maximum applicable voltage: +30 V DC

*(\*)When the input is disconnected, the device will measure the „L“ level.*

Binary input configured for a voltage-free contact or an open-collector transistor:

Contact resistance for the „switched-on“ state:

< 10 kΩ

Contact resistance for the "switched-off" state:

> 2 MΩ

Excitation voltage: approx. 3 V

Minimum state duration necessary for latching the state: 1 s

**Connection mode:**

Split connection block, maximum wire cross section 1.5 mm<sup>2</sup>. The maximum cable length is 30 m. It is recommended to use shielded cables.

CAUTION: The inputs are not galvanically separated!

**Recommended calibration interval:**

2 years

## U6841

---

**Measured values:**

3 x current input (0 – 20) mA,

1 x binary input. This input can be configured to accept voltage signals or a voltage-free contact (as e.g. an open-collector transistor). This input can capture connected/disconnected voltage status.

**Range and input levels:**

Current inputs:

Range: (0 to 20) mA DC

Accuracy: ± 20 µA

Input resistance: approx. 100 Ω

Minimum current: 0 mA (open circuit)

Maximum current: limited to approx. 40 mA

Binary input configured for voltage measurements:

Input voltage for the „L“ level: < 0.8 V<sup>(\*)</sup>

Input voltage for the „H“ level: > 2 V

Minimum applicable voltage: 0 V

Maximum applicable voltage: +30 V DC

*(\*)When the input is disconnected, the device will measure the „L“ level.*

---

Binary input configured for a voltage-free contact or an open-collector transistor:

Contact resistance for the „switched-on“ state:  
< 10 kΩ

Contact resistance for the "switched-off" state:  
> 2 MΩ

Excitation voltage: approx. 3 V

Minimum state duration necessary for latching the state: 1s

**Connection mode:**

Split connection block, maximum wire cross section 1.5 mm<sup>2</sup>. The maximum cable length is 30 m. It is recommended to use shielded cables.

CAUTION: The inputs are not galvanically separated!

**Recommended calibration interval:**

2 years

## U7844

---

**Measured values:**

2 x user configurable binary input for applying voltage or connecting a voltage-free contact (as e.g. an open-collector transistor). This input is able to catch also the „voltage applied/not applied“ states.

2 x counting input. This input, like the binary one, can be configured to accept voltage signals or a voltage-free contact (as e.g. an open-collector transistor). These counting inputs can be used as additional two binary ones.

**Input levels:**

Binary or counter input configured for voltage measurements:

Input voltage for the „L“ level: < 0.8 V<sup>(\*)</sup>

Input voltage for the „H“ level: > 2 V

Minimum applicable voltage: 0 V

Maximum applicable voltage: +30 V DC

*(\*)When the input is disconnected, the device will measure the „L“ level.*

Binary or counter input configured for a voltage-free contact or an open-collector transistor:

Contact resistance for the „switched-on“ state:  
< 10 kΩ

Contact resistance for the "switched-off" state:  
> 2 MΩ

Excitation voltage: approx. 3 V

Minimum state duration necessary for latching the state: 1s

---

**Counter parameters:**

Range: 24 bits (16 777 215), possibility of letting the counter overflow

Maximum pulse frequency when configuring for:

- voltage input: max. 5 kHz
- voltage-free contact or open collector transistor: max. 200 Hz

Further features: relative counter (count of pulses sensed during the recording interval)

**Connection mode:**

Split connection block, maximum wire cross section 1.5 mm<sup>2</sup>. The maximum cable length is 30 m. It is recommended to use shielded cables.

CAUTION: The inputs are not galvanically separated!

---

**U8410****Measured values:**

Concentration of CO<sub>2</sub> in the air.

**Ranges:**

Concentration of CO<sub>2</sub> in the air: 0 to 5000 ppm (the device it is possible to deliver with a range of 0 to 10000 ppm)

**Accuracy:**

CO<sub>2</sub> concentration in the air:

$$50 + 0.03 \times MV \text{ [ppm CO}_2 \text{ at } 23 \text{ }^\circ\text{C and } 1013 \text{ hPa]}$$

Temperature dependency in range -20...45 °C:

$$\text{typ. } \pm (1 + MV / 1000) \text{ [ppm CO}_2 \text{/}^\circ\text{C]}$$

*MV...measured value*

**Response time (air streaming velocity approx. 1 m/s) <sup>(\*)</sup>:**

CO<sub>2</sub> concentration in the air: according to the set CO<sub>2</sub> measurement interval (2 min / 10 min)

<sup>(\*)</sup> *Important information is provided in the chapter  
Manufactured models – U4440M*

**Display resolution:**

CO<sub>2</sub> concentration in air: 1 ppm

**Recommended calibration interval:**

1 year



---

## Operating and storage conditions

### Operating temperature:

(-20 to +60) °C models with CO<sub>2</sub> sensor

(-30 to +70) °C other models

Range of the display visibility: (-10 to +60) °C

### Operating humidity:

(0 to 95) %RH without permanent condensation  
for models with CO<sub>2</sub> sensor

(0 to 100) %RH without long-lasting condensation  
for other models

### Operating pressure:

(700 to 1100) hPa models with CO<sub>2</sub> sensor

(600 to 1100) hPa other models

### Operating environment:

chemically non-aggressive

### Storage temperature:

(-20 to +45) °C

### Storage humidity:

(5 to 90) %RH

## Mechanical properties

### Dimensions (h x w x d):

Models with CO<sub>2</sub> sensor: 93 x 61 x 53 mm

Other models: 93 x 61 x 32 mm

without connected cables and connectors.

For more detailed drawings see „Introduction“ chapter.

### Mass:

Depends on type, up to 260 g including batteries

### Case material:

Polycarbonate LEXAN EXL1434T resin

---

**Ingress protection:**

Device type	Protection class		
	case with electronics	CO2 probe	temperature and rel. humidity sensor
U0110 U0111 U0121 U0122 U0141 U3121	IP67 <sup>(*)</sup>	--	--
U2422	IP54 <sup>(*)</sup>	IP65	--
U3120 U3631	IP67 <sup>(*)</sup>	--	IP30
U3430 U4440	IP20	--	IP20
U4130	IP54 <sup>(*)</sup>	--	IP30
U0541 U5841 U6841 U7844 U8410	IP20	--	--

*(\*)To reach this ingress protection, the device cover screws must be properly tightened, the USB connector must be provided with a closing cap, and all connector screws must be tightened. A connector that is not used must be provided with a closing cap.*

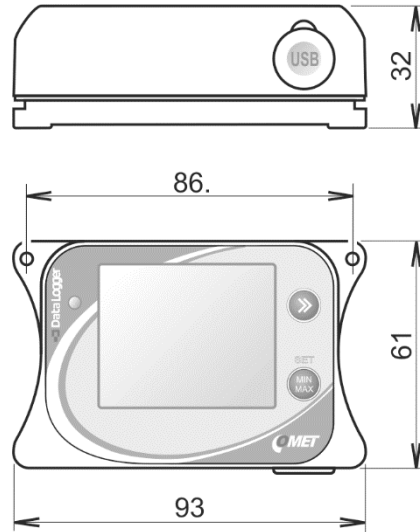
**Optional accessories:**

LP100 - lockable datalogger holder for wall mounting

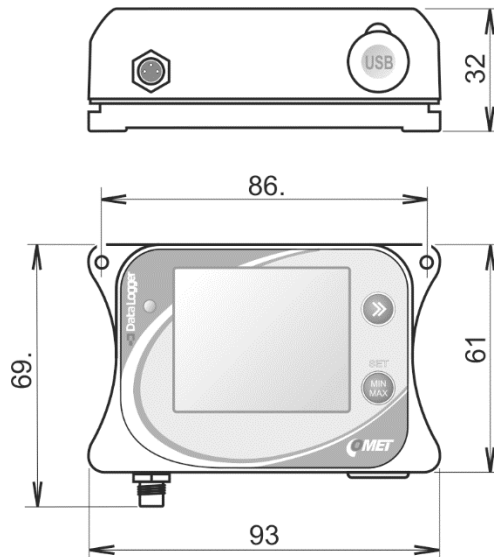
---

## Dimensions

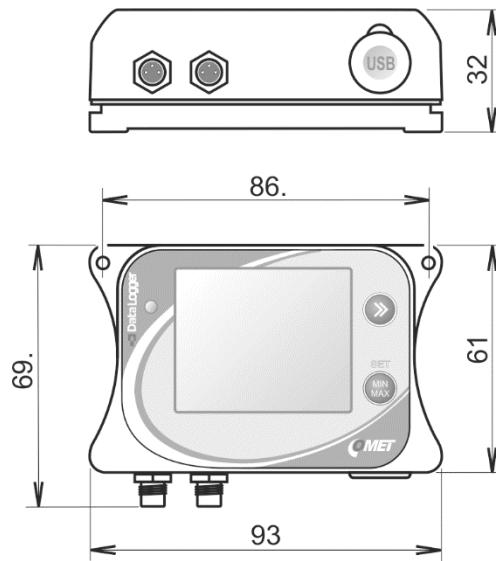
U0110



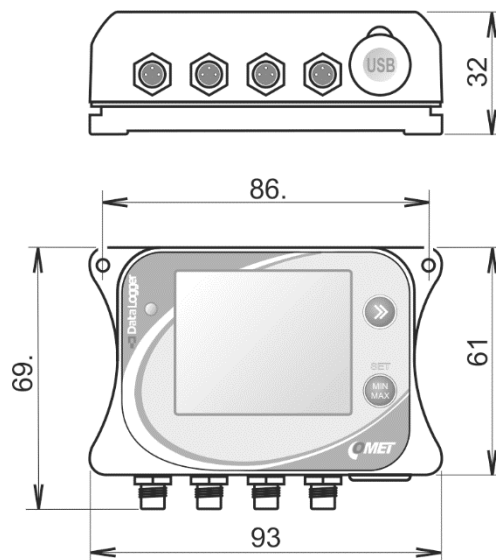
U0111  
U0122



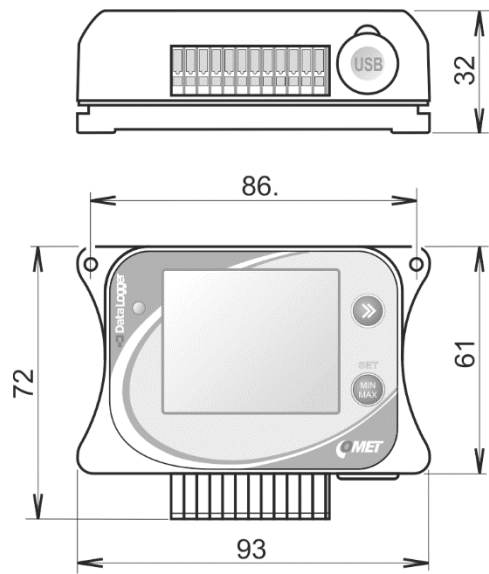
**U0121**



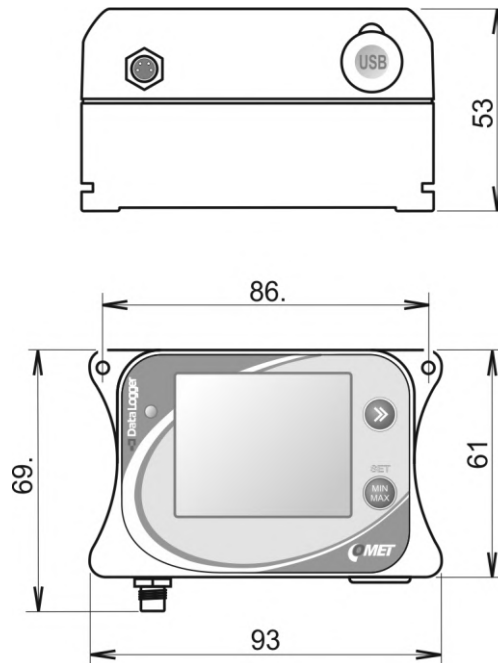
**U0141**



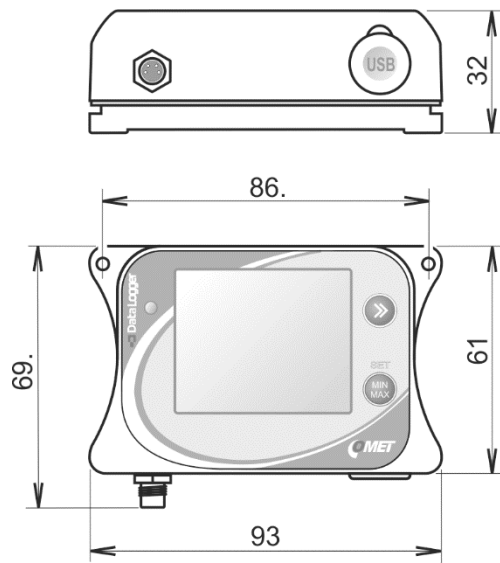
U0541  
U5841  
U6841  
U7844



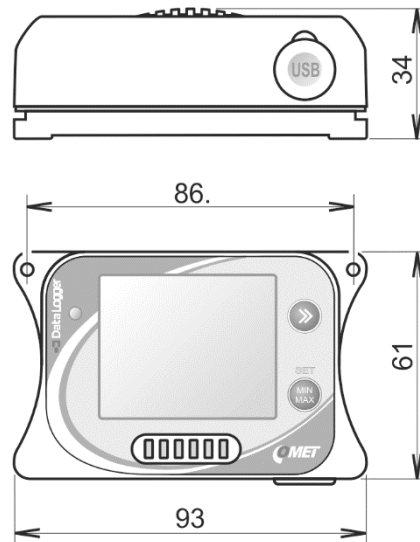
U2422



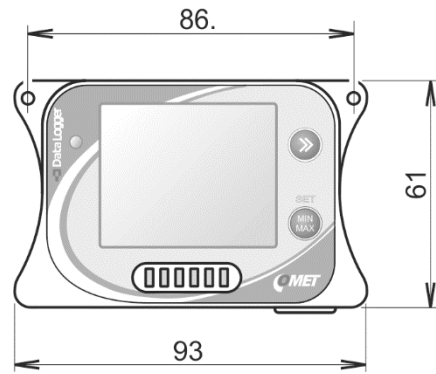
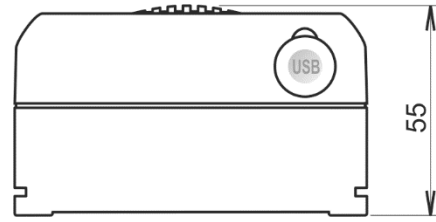
**U3121**



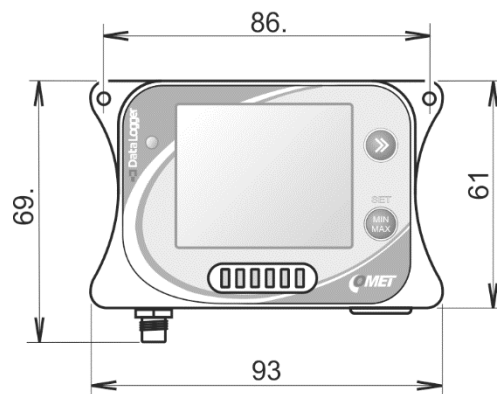
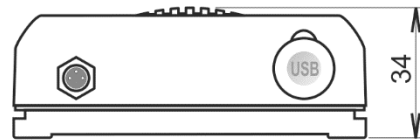
**U3120  
U4130**



**U3430  
U4440**

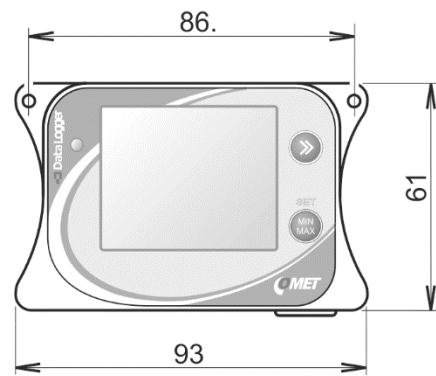
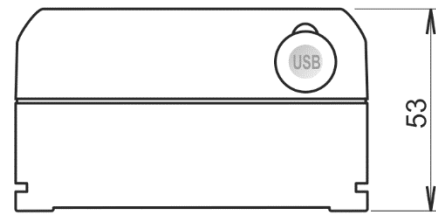


**U3631**



---

**U8410**





---

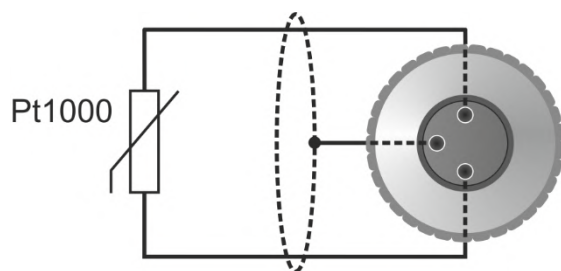
# Annexes

## Annex 1: Selected error messages of the device

Error	Description and debugging
<b>Error 1</b>	Value exceeding the hardware range (value too low). - The Pt1000 probe is short-circuited. <i>Check the probes connected and the signals applied.</i>
<b>Error 2</b>	Value exceeding the hardware range (value too high). - The Pt1000 probe is broken. <i>Check the probes connected and the signals applied.</i>
<b>Error 3</b> <b>Error 17</b> <b>Error 18</b> <b>Error 19</b>	Measured value is not available. <i>In device U3121 check, and, if needed, replace the Digi/E probe connected. In the other models a device failure may be suspected.</i>
<b>Error 4</b> <b>Error 56</b>	Measured value is not valid. <i>Measurement or calculation failure.</i>
<b>Error 5</b>	Too few valid values for an average to be calculated. <i>Concerns recording average /Min/Max values. This error means that there has not yet been a sufficient number of valid values for calculating the average value.</i>
<b>Error 9</b>	Measured value is outside the measurement range (e.g. temperature with Pt1000). The reason can be a faulty probe, another sensor type, a parasitic coupling between the inputs or an incorrect device calibration. <i>Try another probe; check the cables and possible parasitic coupling.</i>
<b>Error 10</b>	The device is switched off (the measured values are not available)
<b>Error 11</b>	No valid data of the counter, batteries missing in the device. <i>Reset the counter content by means of the SW, repeat the measurement.</i>
<b>Error 13</b> <b>Error 14</b> <b>Error 15</b>	CO <sub>2</sub> concentration sensor is not available, or it does not work correctly. <i>Have the device repaired. This applies to the CO<sub>2</sub> concentration sensor devices only.</i>
<b>Error 16</b>	The measured CO <sub>2</sub> value is not available due to low battery voltage. <i>Charge the battery or replace it.</i>

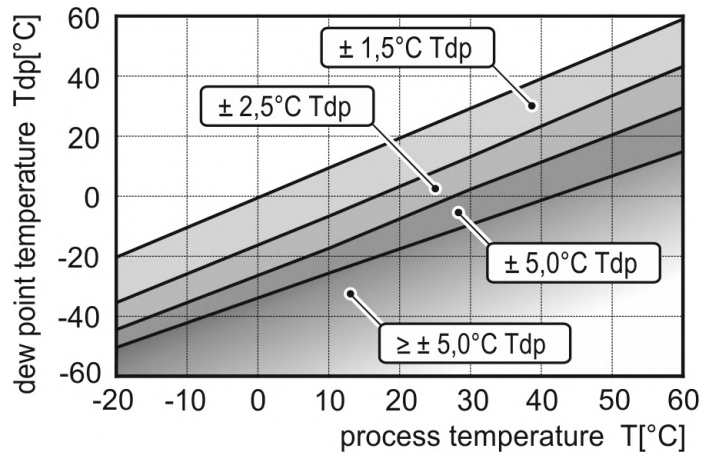
Error	Description and debugging
<b>Error 20</b>	The source value of the calculated quantities is not available. <i>Check in the SW whether measurement values are available (temperature and relative humidity) for this calculated quantity in question (e.g. the dew-point temperature).</i>
<b>Error 21</b>	Calculation failure, incorrect device calibration. <i>Have the device repaired.</i>
<b>Error 22</b>	Counter overflow in the case that in the device configuration it is required to report this as a failure. <i>Reset the counter by means of the SW, or, as the case may be, change the setting for the overflow limit.</i>
<b>Error 50, Error 52, Error 55</b>	Device configuration failure, corrupted configuration. <i>Read the configuration into the SW, check for the correct setting of all items, save the configuration in the device again.</i>
<b>Error 51</b>	The Digi/E series probe contains invalid calibration constants. <i>Get the probe repaired or contact the producer.</i>
<b>Error 128 Error 255</b>	Error messages generated during communication with the device. <i>Repeat the communication, contact the producer.</i>

## Annex 2: Connection of the Pt1000/E series probe connector



---

## Annex 3: Accuracy of the dew-point temperature measurement



## Annex 4: Connecting block

Some inputs are equipped with a split self-locking WAGO connector block. Connect the wires to the block with either the supplied SP013 or a screwdriver corresponding to the size: insert a screwdriver into the connecting block's angular opening situated above the circular opening. Open the connector by turning the screwdriver moderately, insert the wire and close the connector by subsequent disengaging the screwdriver. See the illustration.

*The connecting block can be taken out of the device without the necessity of disconnecting any wire*

