

AQUATELTM WIRELESS FLUID LEVEL TECHNOLOGIES

Wireless Fluid Level Controller MODEL M107-BT



A COMPLETE WIRELESS CONTROL SYSTEM FOR MAINTAINING THE FLUID LEVEL IN YOUR TANK

wireless • no need for control wires or trenching • automatically turns on a pump to maintain the liquid level • ultrasonic • sound wave bounces off water to determine liquid level • easy to set up and change settings at any time • works on tanks of any construction up to 4m deep • simple DIY installation that can be completed in minutes • full function Irrigation Timer

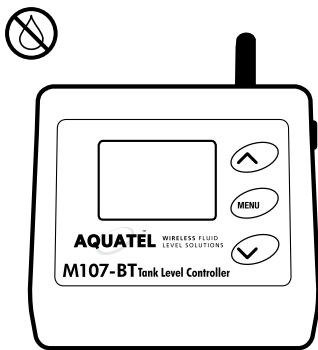
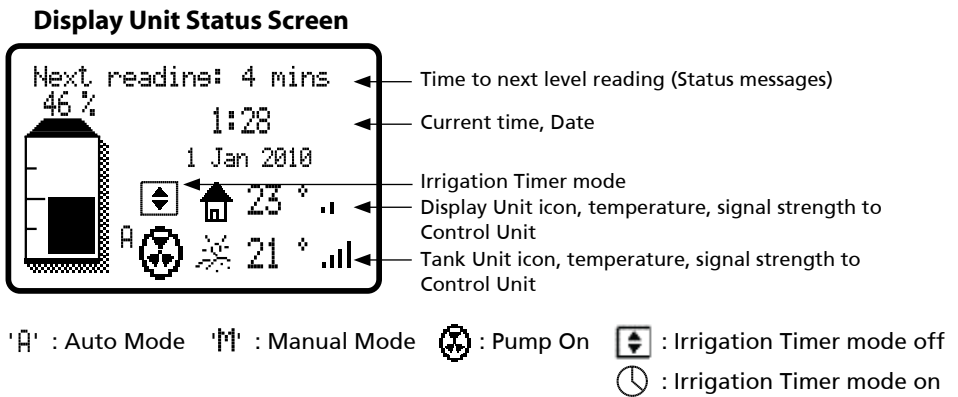


How it works

The Tank Unit is mounted on the top surface of the tank and uses ultrasonic signals to detect the fluid level inside. This is then wirelessly transmitted through the Control Unit and onto the Display Unit. The Display Unit displays the fluid level and system status on the LCD screen. The Display Unit is also used for setting the system settings such as level thresholds. This is sent back to the Control Unit to switch the pump or valve on and off depending on the tank level.

Features

- auto pump shutdown with loss of radio or no valid level reading
- remotely switch a pump or solenoid valve at 300m / 1000' standard kit
- unit can be setup to fill a tank (from a bore), or drain a tank (for septic or transfer applications)
- has low battery warnings, displays temperature of units and even a rapid water loss alarm
- Long range booster antennas available giving up to 5km / 3 mile range (AQ920-7)



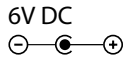
Display Unit

- 4 x AA Alkaline batteries (required)
- 92W x 73D x 50H
- ¼ Wave Whip Antenna
- 1 x 6volt dc switch mode power pack included

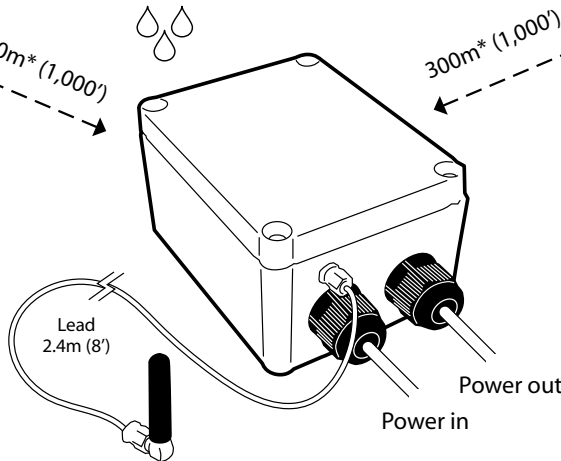
- Temperature range :
-10 to +60°C (14 to 140°F)
- Individually Security coded sets
- Approval : AS/NZS 4268:2003 1:2005
- Housing : ABS Plastic

* Range shown is line of sight. Objects between units will reduce range. Long range antenna kits AQ920-7 available (giving up to 5km / 3 mile range)

External Power Jack
6V DC

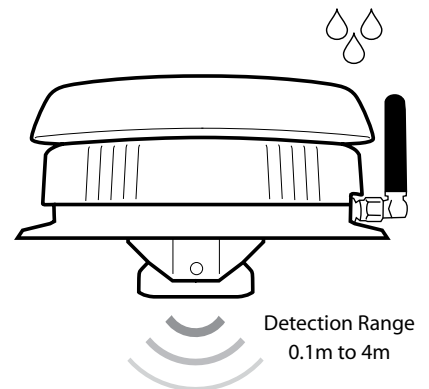


300m* (1,000')



Control Unit

- Maximum switchable load 15A
- 90W x 120D x 65H
- ¼ Wave Whip Antenna



Tank Unit

- Use only with non-explosive fluids (water, septic, diesel ✓ ok) (Gasoline X no)
- 4 x AA Alkaline batteries required
- Ø135x 80H
- ¼ Wave Whip Antenna