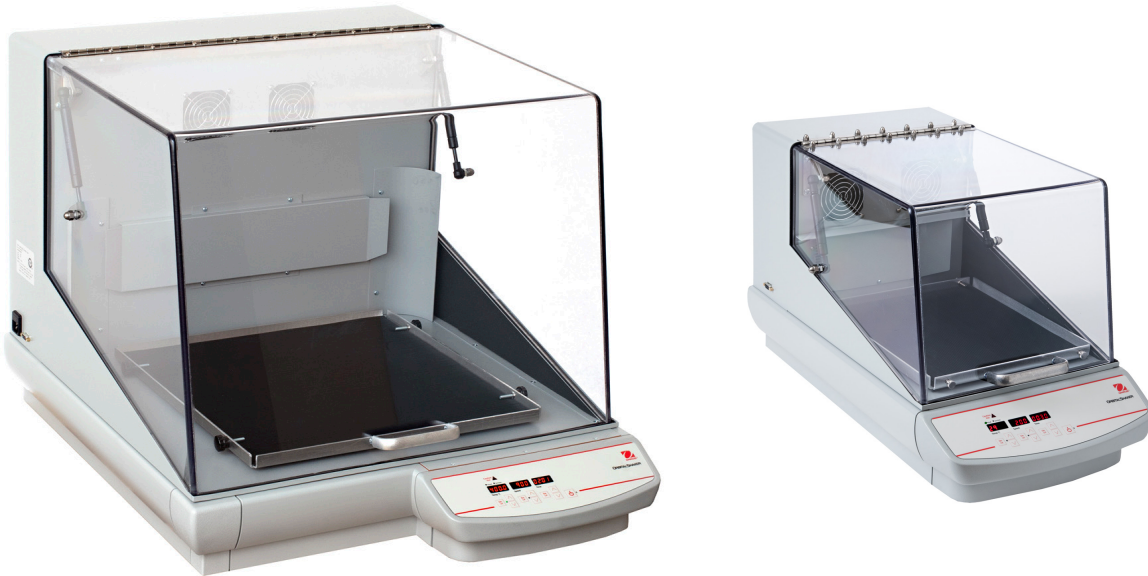




# *Incubating Heavy Duty Orbital Shakers*



## *Save Incubator Space with Benchtop Incubating and Incubating Refrigerating Shakers*

Incubating Heavy Duty Orbital Shakers offer exceptional temperature uniformity and are designed for a variety of shaking and incubating applications.

### *Unique Features Include:*

- The exclusive Opti-Flow Forced Ventilation System utilizes twin induction or a single large fan. Air is deflected around & not directly on samples, creating a circular flow of air ensuring uniformity.
- For repeatable results, the exclusive Accu-Drive shaking system ensures speed accuracy. The Triple Eccentric Drive provides consistent shaking motion throughout the entire speed range.
- The chambers for the ISHD23HDG and ISHD23CDG units are large enough to hold 2 x 6 L Erlenmeyer flasks with optional clamps and platform.

# Incubating Heavy Duty Orbital Shakers

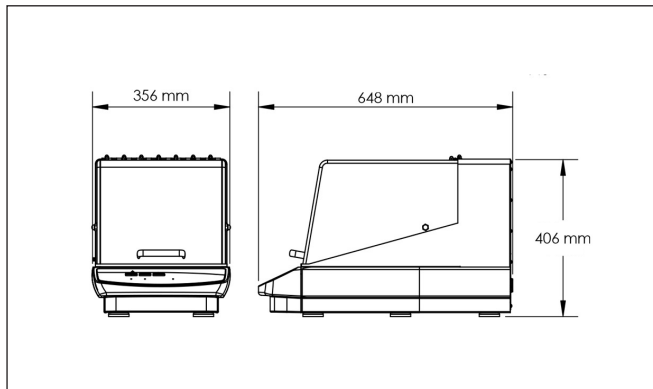
## Specifications

Model	ISHD16HDG	ISHD23HDG	ISHD23CDG
Motion	Orbital, 19 mm	Orbital, 25 mm	Orbital, 25 mm
Speed Range	15 rpm to 500 rpm		
Speed Accuracy	Above 100 rpm +/-1% / Under 100 rpm +/- 1 rpm		
Temperature Range	Ambient +5 °C to 65 °C		15 °C below ambient to 65 °C
Temperature Uniformity	+/- 0.5 °C at 37 °C		
Calibration	Temperature Calibration		
Timer	1 second to 160 hours		
Control	Digital		
Communication	RS-232 Interface		
Max Weight Capacity	16 kg @ 75 rpm, 2.3 kg @ 500 rpm	22.7 kg @ 125 rpm, 4.53 kg @ 500 rpm	
Drive System	Triple Eccentric; Brushless DC motor		
Dimensions (H x L x W)	40.6 x 64.8 x 35.6 cm	59.6 x 81.5 x 67.5 cm	59.6 x 104.4 x 67.5 cm
Interior Dimensions (H x L x W)	24.1 x 34 x 30.5 cm	43.2 x 52.3 x 62.9 cm	
Tray Dimensions (L x W)	33 x 27.9 cm	45.6 x 45.7 cm	
Net Weight	35.9 kg	101.6 kg	131.7 kg
Power	230 V, 50/60 Hz	230V, 50/60 Hz	230 V, 50/60 Hz
Power Consumption	450 W	800 W	
Working Environment	15 °C – 32 °C, 80% RH*, non-condensing		

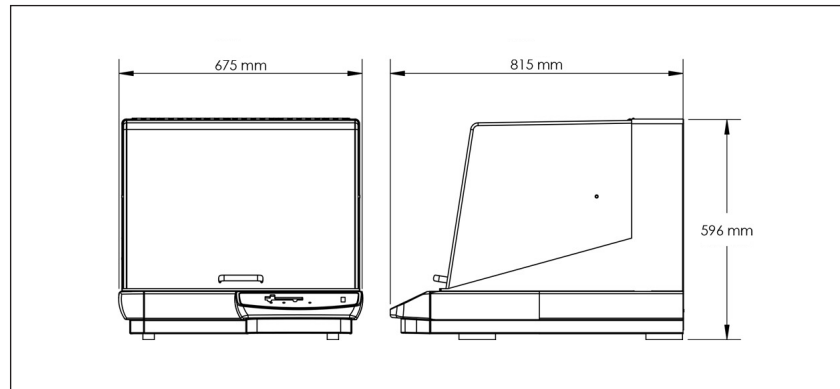
\*RH = Relative Humidity

## Dimensional Drawings

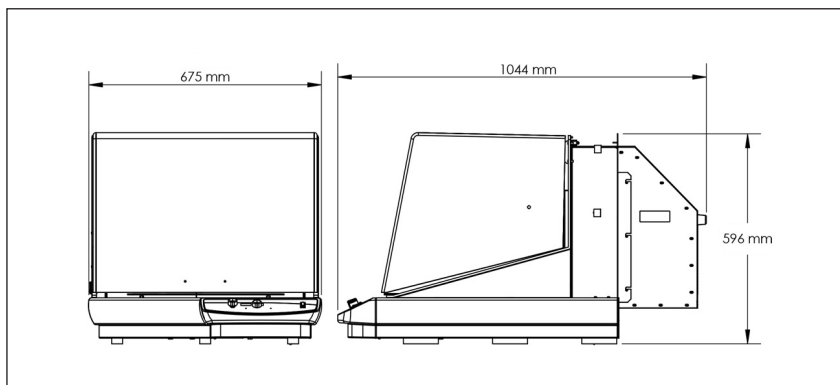
ISHD16HDG



ISHD23HDG



ISHD23CDG



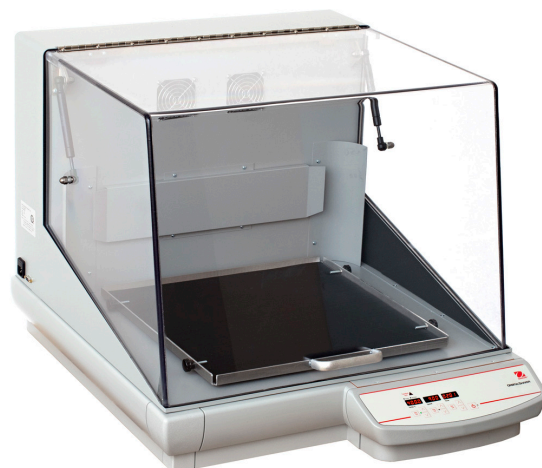
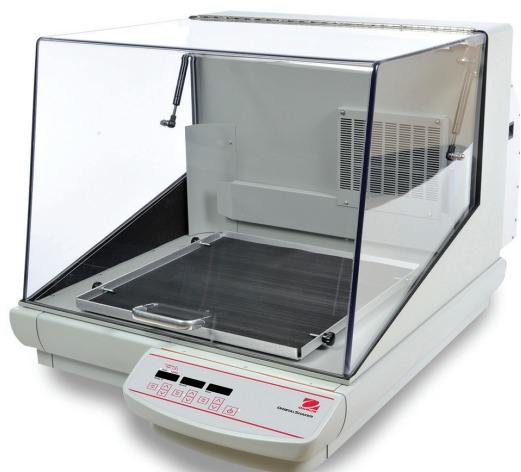
# Incubating Heavy Duty Orbital Shakers

## Accessories

Description	Part Number	Tube capacity per Rack	ISHD16HDG	ISHD23HDG ISHD23CDG
Universal Platform, 28 x 33 cm, S/S*	30400052	-	1	N/A
Universal Platform, 46 X 46 cm, S/S I-IR*	30400055	-	N/A	1
Rubber Mat, 28 x 33 cm	30400060	-	1	N/A
Flask Clamps, 10 mL	30400084	-	60	113
Flask Clamps, 25 mL	30400085	-	25	64
Flask Clamps, 50 mL	30400086	-	13	32
Flask Clamps, 125 mL	30400087	-	10	20
Flask Clamps, 250 mL	30400088	-	9	20
Flask Clamps, 500 mL	30400089	-	7	13
1 Liter Erlynmeyer Flask Clamp	30400090	-	4	8
2 Liter Erlynmeyer Flask Clamp	30400091	-	N/A	5
2.8 Liter Erlynmeyer Flask Clamp	30400092	-	N/A	2
3 Liter Erlenmeyer Flask Clamp	30400093	-	N/A	2
4 Liter Erlynmeyer Flask Clamp	30400094	-	N/A	4
5 Liter Erlenmeyer Flask Clamp	30400095	-	N/A	4
6 Liter Erlynmeyer Flask Clamp	30400096	-	N/A	2
500 mL Media Bottle Clamp	30400097	-	5	16
1000 mL Media Bottle Clamp	30400098	-	2	10
Flask Clamp Pvc 125 mL	30400099	-	10	20
Flask Clamp Pvc 250 mL	30400100	-	8	18
Flask Clamp Pvc 500 mL	30400101	-	5	12
Flask Clamp Pvc 1000 mL	30400102	-	2	8
Flask Clamp Pvc 2000 mL	30400103	-	N/A	4
Clamp Microplate SS	30400104	-	4	12
Tube Rack 1.5-2mL	30400114	70	2	4
Test Tube Rack 10-13 mm Diameter	30400115	63	2	4
Test Tube Rack 14-16 mm Diameter	30400116	48	2	4
Test Tube Rack 18-20 mm Diameter	30400117	35	2	4
Test Tube Rack 22-25 mm Diameter	30400118	24	2	4
Test Tube Rack For 15 mL Tubes	30400119	35	2	4
Test Tube Rack For 50 mL Tubes	30400120	12	2	4
Test Tube Rack 13 mm Pivoting	30400105	90	1	2
Test Tube Rack 16 mm Pivoting	30400106	60	1	2
Test Tube Rack 20 mm Pivoting	30400107	40	1	2
Test Tube Rack 25 mm Pivoting	30400108	24	1	2
Test Tube Rack 30 mm Pivoting	30400109	21	1	2
Test Tube Rack 10-14 mm Stationary	30400110	48	N/A	3
Test Tube Rack 16-20 mm Stationary	30400111	33	N/A	3
Test Tube Rack 21-25 mm Stationary	30400112	21	N/A	3
Test Tube Rack 50 mL Tubes Stationary	30400113	17	N/A	3

\*All units require an accessory platform for mounting flask clamps or test tube racks.

# Incubating Heavy Duty Orbital Shakers



**Universal Platform, 28 x 33 cm, S/S\***  
30400052



**Universal Platform, 46 X 46 cm, S/S I-IR\***  
30400055

## Other Standard Features & Equipment

Aluminum and Cycloy construction, temperature calibration feature, overload protection, overshoot protection (temperature), load sensor, PID temperature controller, Triple Eccentric Drive system

## Compliance

- Product Safety: IEC/EN 61010-1; IEC/EN 61010-2-010; IEC/EN 61010-2-051
- Electromagnetic Compatibility: IEC/EN 61326-1 Class A, Basic Environments
- Compliance Marks: CE; RCM; TÜV SÜD; WEEE

**OHAUS Asia/Pacific Headquarters**  
7F, Block 33, 680 Guiping Road  
Shanghai 200233  
China

e-mail: [APmarketing@ohaus.com](mailto:APmarketing@ohaus.com)  
Tel: +86 21 64855408

[www.ohaus.com](http://www.ohaus.com)

*The management system governing the manufacture of this product is ISO 9001:2015 certified.*

SAP Literature #

80776579\_F\_20200825 © Copyright OHAUS Corporation



\*All units require an accessory platform for mounting flask clamps or test tube racks.