



Multi-Purpose Compact Bench Scales for Industrial Weighing Applications

The multipurpose Ranger 3000 has all of the capabilities to produce precise results rapidly for a variety of applications. With nine application modes, Ranger 3000 is the ideal scale to meet many industrial weighing needs. Portable and equipped with a rechargeable battery, this scale is beneficial in every corner of the factory and is equipped with functions and features that elevate the Ranger 3000 to a class of its own.

Standard Features:

- With the largest display in its class, checkweighing LED indicators and backlit LCD display, the Ranger 3000 can function in almost any work environment.
- User-friendly scale with easy setup to ensure efficiency in the workplace.
- Eliminate waiting time and increase control of your operation with accurate one-second results.

RANGER® 3000 Bench Scale

Largest Display in its Class

The big, bright display makes Ranger 3000 extremely easy to use. The 38.1mm (1.5") LCD display is 57% larger than displays on comparable products. Checkweighing LED's clearly show when the weight on the platform is under, over, or within the target range. The bright display makes Ranger 3000 ideal for use in low-light visibility.

Rapid Stabilization

Ranger 3000 produces accurate results within one second. Rapid stabilization virtually eliminates your wait time and allows you to move at a pace determined by you and not your weighing equipment. Work efficiently and with confidence that your results are accurate. Maximize your throughput without sacrificing accuracy with the Ranger 3000.

The Most User Friendly Scale on the Market

SmarText™ menu navigation and dedicated keys make Ranger 3000 the most user-friendly industrial scale on the market, complete with dedicated TARE key and Yes / No / Back / Exit menu functions. Ranger 3000 eliminates the need to master complex input commands and allows you to focus on the job at hand.

Weigh Below Capability

The included easy-to-use & install weigh-below hook offers the functionality to perform specific gravity tests. It can also be used to weigh items that cannot be easily lifted on to the weighing pan.

Metrology

The Ranger 3000 series of scales meets or exceeds the Class III accuracy requirements in accordance with NIST Handbook 44 and Canada's Weights and Measures Regulations.

Standard Connectivity with Flexible Options

The Ranger's included RS232 with optional Ethernet, second RS232 and USB offers additional data transfer capabilities or allows connection to multiple peripherals.



Portability and Versatile Power Options

With its convenient integrated carrying handle and rechargeable lead acid battery that can provide power for more than 210 hours between recharges, the Ranger® 3000 can provide many hours of uninterrupted operation wherever you need it in your business. The Ranger includes an internal power transformer, so there are no outlet-hogging powerpacks, just a dedicated line cord.



Application Modes

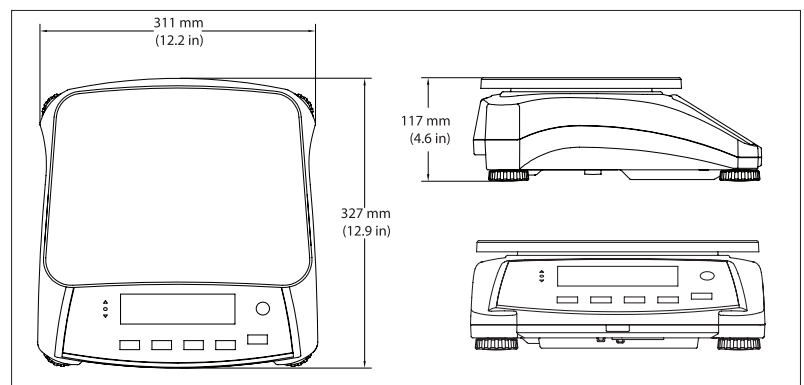
- **Weighing** — Determine the weight of items in one or more weighing units -- lb, oz, lb:oz, kg or g.
- **Percent Weighing** — With the weight on the platform easily shown as a % of a set reference weight, quickly measure and fill in packaging and formulating applications.
- **Parts Counting** — Count parts fast for packaging and inventory control uses on the line or in the warehouse.
- **Check Weighing/Percent/Counting** — Use the bright red/yellow/green LEDs to easily fill containers and packages by weight, by % or by a specified range of parts.
- **Accumulation** — Keep a running total of all items, by weight, parts count or percent of reference. Great for tracking total throughput during each shift.
- **Dynamic Weighing** — The Ranger averages the weight on the platform for a selected number of seconds, which is especially useful for weighing moving objects or in areas of excessive vibration.
- **Display Hold** — Manually or automatically holds the last stable weight on the Ranger's display. Allows large boxes to be weighed on the platform when the display is blocked from view. Can be used to help support accurate recordkeeping during processing.

Statistics Printer Ready!

Combine the Ranger 3000 with the new OHAUS SF40A statistics printer and keep track of information critical for SQC processes.



Outline Dimensions



Model	R31P1502	R31P3	R31P6	R31P15	R31P30
Default Capacity × Readability	1.5 kg × 0.00005 kg 3 lb × 0.0001 lb 1,500 g × 0.05 g 48 oz × 0.002 oz	3 kg × 0.0001 kg 6 lb × 0.0002 lb 3,000 g × 0.1 g 96 oz × 0.005 oz	6 kg × 0.0002 kg 15 lb × 0.0005 lb 6,000 g × 0.2 g 240 oz × 0.01 oz	15 kg × 0.0005 kg 30 lb × 0.001 lb 15,000 g × 0.5 g 480 oz × 0.02 oz	30 kg × 0.001 kg 60 lb × 0.002 lb 30,000 g × 1 g 960 oz × 0.05 oz
Certified Capacity × Readability	1.5 kg × 0.0005 kg 3 lb × 0.001 lb 1,500 g × 0.5 g 48 oz × 0.02 oz	3 kg × 0.001 kg 6 lb × 0.002 lb 3,000 g × 1 g 96 oz × 0.05 oz	6 kg × 0.002 kg 15 lb × 0.005 lb 6,000 g × 2 g 240 oz × 0.1 oz	15 kg × 0.005 kg 30 lb × 0.01 lb 15,000 g × 5 g 480 oz × 0.2 oz	30 kg × 0.01 kg 60 lb × 0.02 lb 30,000 g × 10 g 960 oz × 0.5 oz
Maximum Displayed Resolution	1:30,000	1:30,000	1:30,000	1:30,000	1:30,000
Certified/Approved Resolution	1:3,000	1:3,000	1:3,000	1:3,000	1:3,000
Construction	ABS housing, stainless steel platform				
Weighing Units	kg, g, lb, oz, lb:oz				
Application Modes	Weighing, Percent Weighing, Parts Counting, Checkweighing, Checkcounting, Checkpercent, Accumulation, Dynamic Weighing/Display Hold				
Display	LCD display with white backlight, 1.1 in/28mm high digits				
Checkweighing Indicators	3 LED (yellow, green, red) with configurable operation and alert beeper				
Keypad	5 mechanical keys				
Zero Range	2 % or 10 % of full scale capacity				
Tare Range	Full capacity by subtraction				
Stabilization Time	1 second				
Auto-Zero Tracking	Off, 0.5, 1 or 3 divisions				
Safe Overload Capacity	150 % of capacity				
Power	100 - 240 VAC / 50 - 60 Hz internal universal power supply, internal rechargeable lead acid battery				
Battery Operation	210 hours continuous use between recharges with 12 hour recharge time				
Calibration	External, with user-selectable calibration weight				
Interface	Built-in RS232, optional 2 nd RS232, USB or Ethernet				
Operating Temperature Range	14 °F to 104 °F / -10 °C to 40 °C				
Platform Size (W × L)	11.8 × 8.9 in. / 300 × 225 mm				
Scale Dimensions (W × L × H)	12.2 × 12.9 × 4.6 in. / 311 × 327 × 117 mm				
Shipping Dimensions (W × L × H)	15.6 × 17.6 × 7.7 in. / 397 × 447 × 195 mm				
Net Weight	9.2 lb / 4.2 kg				
Shipping Weight	12 lb / 5.45 kg				

Other Standard Features and Equipment

Weigh-below hook, integral transportation handle, sealed front panel, menu lockswitch, up front level indicator, adjustable leveling feet, selectable environmental and auto-print settings, stability indicator, overload and underload indicators, low battery indicator, auto shut-off, auto tare

Compliance

- **Metrology:** NIST Handbook 44 (NTEP CC 13-022) and Measurement Canada Weights and Measures Regulations (AM-5907C), OIML R76-1 (R76/2006-NL1-12.46), (Class III, n_{max} 3000) (Counting function not certified/approved)
- **Product Safety:** CSA C22.2 61010-1, UL 61010-1
- **Electromagnetic Compatibility:** FCC Part 15 Class A, IEC 61326-1 (emissions Class B, immunity Industrial requirements)

Accessories

Ethernet Kit.....	30037447
Second RS232 Kit.....	30037448
USB Kit.....	30037449
In Use Cover.....	30037451

OHAUS CORPORATION

7 Campus Drive
Suite 310
Parsippany, NJ 07054 USA

Tel: 800.672.7722
973.377.9000
Fax: 973.944.7177

www.ohaus.com

The management system governing the manufacture of this product is ISO 9001:2015 certified.

