

SMART IOT GATEWAY - ICONNECTOR



SKU: STHC

iConnector - SMART IOT GATEWAY

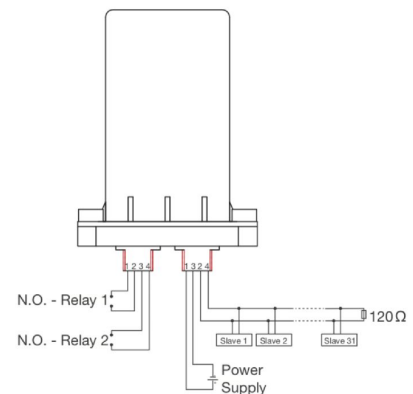
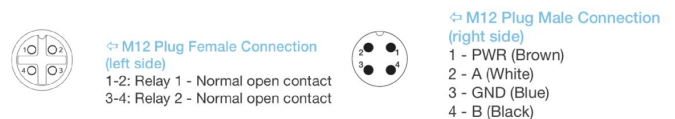


STHC-H1.PNG

STHC is a Smart IoT Gateway, aka iConnector, a main component in any IoT application. iConnector has a role to connect the real World's things like sensors, meters, machines...to server system for data logging, data analytics, monitoring & controls...iConnector support multiple Industrial Fieldbus like Modbus, EthernetIP, Profinet, CClink, Wireless sensor network...It connects to server system via LAN/WAN as Ethernet, WiFi or Cellular.

- ✓ **3-IN-1 DEVICE**
iConnector is a 3-in1 device, comprises Data logger + Logic Controller + Internet Gateway
- ✓ **NO NEED PROGRAMMING**
Don't need to learn any Programming language, just configure it remotely by Globiots platform
- ✓ **JUST 2-STEP FOR USING**
Just install and configure it remotely on Globiots, then you can start use it!
- ✓ **MULTIPLE FIELDBUS PROTOCOLS**
Support multiple Fieldbus protocols like Modbus, EthernetIP, Profinet, CCink...
- ✓ **SINCE 2014!**
Industrial customers have been using iConnectors since 2014 because of its quality!

PIN ASSIGNMENT & WIRING



STHC-H2.PNG

DAVITEQ TECHNOLOGIES INC

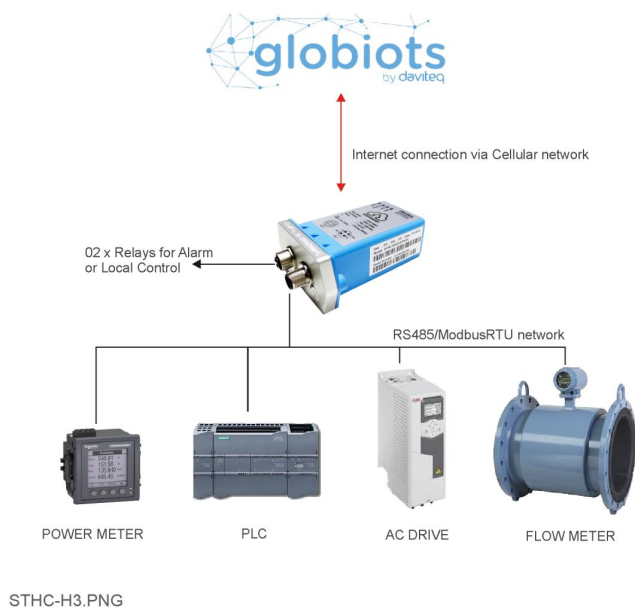
No.11 Street 2G, Nam Hung Vuong Res., An Lac Ward, Binh Tan Dist., Ho Chi Minh City, Vietnam
+84.28.6268.2523 / 6268.2524
info@daviteq.com www.daviteq.com

JAN-2021 | Doc No: STHC-DS-EN-10

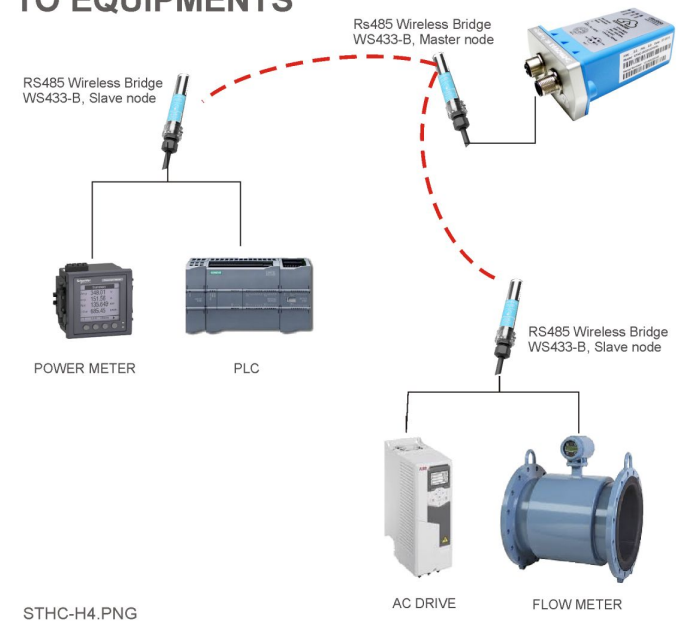
SPECIFICATION

Host Communication Cellular type	GPRS Quadband (850/900/1800/1900)/3G-Dual band (2100/900)/3G- Penta Band (2100/1900/850/850Japan/900/800Japan),standard internal antenna, optional external antenna
Host Communication Ethernet type	01 x RJ45 port, 10Mbps
Host Communication WiFi type	802.11b/g/n, 2.4Ghz,internal antenna
GPS	option, only available on GPRS version or 3G-Penta band version
Host communication supports	TCP/IP, UDP/IP, FTP, HTTPS, SNMP...
Fieldbus communication	ModbusRTU x 01 port, 31 slaves, max 19.2 kpbs
Vietnam Type Approval Certification	QCVN 54:2011/BTTTT, QCVN 15:2015/BTTTT (DAVITEQ B00122019)
Optional	Integrated wireless co-ordinator with external antenna or internal antenna
Optional	Internal buzzer (to replace Relay 1)
Power supply	7..48VDC, avg 200mA, peak 1.5A
Back-up battery	Lithium Super Capacitor
On-board memory & sensors	2MB Flash, PCB temperature sensor
Electrical connectors	M12, 4-pin, coding A or 9mm Power Plug and USB port
SIM slot	01 x micro-SIM (cellular versions only)
Included accessories	mounting bracket for wall mount (cellular version only)
Operating Temperature/Humidity	-20 .. + 60 degC / 95%RH, non-condensing
Housing/Protection	Aluminum+Polycarbonate for Cellular version, anti-UV plastic for Ethernet/WiFi version. All version is IP67 protection
Dimension	H106xW73xD42 for Cellular version, H130xW90xD40 for Ethernet/WiFi versions
Net weight	190 grams for Cellular version, 350 grams Ethernet/WiFi versions
Relay outputs	02 x relay SPST NO contact, 125VAC@0.3A or 24VDC@1A

TYPICAL APPLICATION



WIRELESS CONNECTION TO EQUIPMENTS



DAVITEQ TECHNOLOGIES INC

No.11 Street 2G, Nam Hung Vuong Res., An Lac Ward, Binh Tan Dist., Ho Chi Minh City, Vietnam

+84.28.6268.2523 / 6268.2524

info@daviteq.com

www.daviteq.com

JAN-2021 | Doc No: STHC-DS-EN-10

2/4

EXTERNAL ANTENNAS FOR CELLULAR VERSION



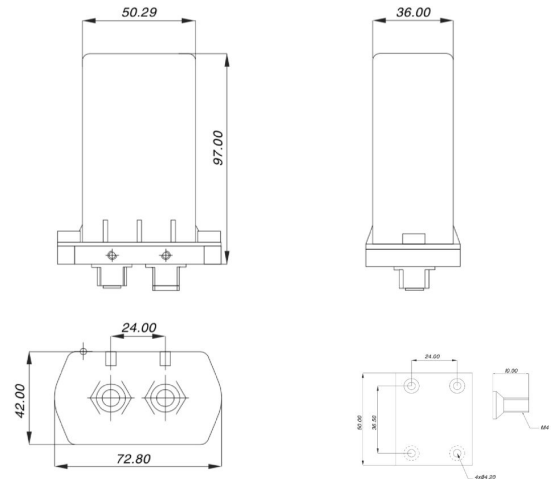
GSM



GSM + GPS

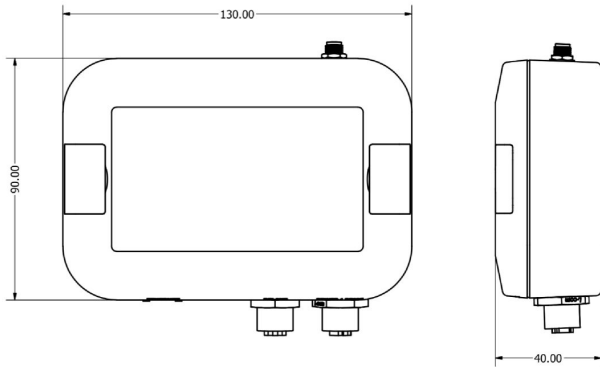
STHC-H5.PNG

DIMENSION DRAWINGS OF CELLULAR VERSION (UNIT: MM)



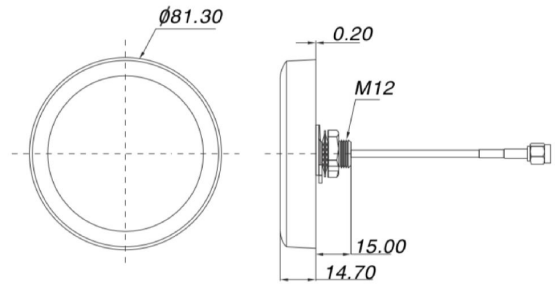
STHC-H6.PNG

DIMENSION DRAWINGS OF WIFI/ETHERNET VERSIONS (UNIT: MM)



STHC-H7.PNG

DIMENSION DRAWINGS OF EXTERNAL ANTENNAS (UNIT: MM)



STHC-H8.PNG

ORDERING INFORMATION

ITEM CODE	DESCRIPTIONS
STHC-ISG02DB-NC	iConnector 3G Dual Band, internal antenna, with 02 relays, no M12 cables
STHC-ISG02DB-WS433-CL-04	iConnector 3G Dual Band*, internal GSM antenna, RS485/ModbusRTU with built-in wireless co-ordinator, external antenna 0 dbi with M12-Male connector
STHC-ISG02DB-WS433-CL-05	iConnector 3G Dual Band*, internal GSM antenna, integrated wireless co-ordinator with Taoglas external antenna 0 dbi, 9mm DC Power Jack and USB port for configuration
STHC-ISG02DB-WS433-CL-06	iConnector 3G Dual Band*, internal GSM antenna, integrated wireless co-ordinator with internal antenna , 9mm DC Power Plug and USB port for configuration, internal buzzer
STHC-ISG02DB-ETH	iConnector 3G Dual Band with Ethernet Port 10Mbps, internal antenna, ModbusRTU and ModbusTCP, with 02 relays, no M12 cables
STHC-ISGWF-WS433-CL-04	iConnector WiFi*, internal WiFi antenna, RS485/ModbusRTU with built-in wireless co-ordinator, external antenna 0 dbi with M12-Male connector
STHC-ISG02-NC/GPS	iConnector 3G Penta Band with GPS, internal antennas, with 02 relays, no M12 cables
STHC-ISG02DB-NC/EXANT	iConnector 3G Dual Band, SMA connector for external GSM antenna (order external antenna separately), no relay, no M12 cables
STHC-ISG02-NC/GPS/EXANT	iConnector 3G Penta Band with GPS, SMA connectors for external GSM/GPS antennas (order external antennas separately), no relay, no M12 cables
STHC-ISG02-WS433-CL-04	iConnector 3G Penta Band*, internal GSM antenna, RS485/ModbusRTU with built-in wireless co-ordinator, external antenna 0 dbi with M12-Male connector
SIMMOBI-3G	Mobifone Data SIM CARD, only SMS receiving mode
SIMMOBI-10K-01Y	12-month data plan for SIM CARD, unlimited data, GPRS/EDGE/UMTS/HSPA
STHC-ISGWF	iConnector WiFi, internal antenna, additional M12-Male RS485 Port, with 02 relays, no M12 cables
STHC-ISGETH	iConnector Ethernet, additional M12-Male RS485 Port, with 02 relays, no M12 cables
STHC-ISGWF/WR433-01	iConnector WiFi with built-in Wireless Co-ordinator, internal WiFi antenna, DC jack for Power
ACCESSORIES	
RS485-FM12-USB-1	RS485/USB multi-purpose Configuration cable with connector m12 male, female and flying leads, with Power adapter 12VDC/2.0A
EXANT-JCG008	IP67 GSM Antenna for Cellular iConnector with SMA connector, without GPS
EXANT-JCB008L	IP67 Combination GSM+GPS Antenna for Cellular iConnector with SMA connectors, with GPS
2M-MM12CAB4x0.25	M12 4pin Male assembly connector with Soldering terminals and coding A and Control Cable Cu/PVC/OS/PVC 4x0.25mm2, L=2m, Rohs, Shield 80%
2M-FM12CAB4x0.25	M12 4pin Female assembly connector with Soldering terminals and coding A and Control Cable Cu/PVC/OS/PVC 4x0.25mm2, L=2m, Rohs, Shield 80%
5M-MM12CAB4x0.25	M12 4pin Male assembly connector with Soldering terminals and coding A and Control Cable Cu/PVC/OS/PVC 4x0.25mm2, L=5m, Rohs, Shield 80%
5M-FM12CAB4x0.25	M12 4pin Female assembly connector with Soldering terminals and coding A and Control Cable Cu/PVC/OS/PVC 4x0.25mm2, L=5m, Rohs, Shield 80%
10M-MM12CAB4x0.25	M12 4pin Male assembly connector with Soldering terminals and coding A and Control Cable Cu/PVC/OS/PVC 4x0.25mm2, L=10m, Rohs, Shield 80%
10M-FM12CAB4x0.25	M12 4pin Female assembly connector with Soldering terminals and coding A and Control Cable Cu/PVC/OS/PVC 4x0.25mm2, L=10m, Rohs, Shield 80%
Notes	* Purchase M12-female cable to power and RS485 connecting for iConnector
	** Purchase M12-male cable for using Relays port
	*** Purchase configuration cable RS485-FM12-USB-1 for off-line configuration of iConnector