

# SIGFOX-READY GAS SENSOR FOR GENERAL INDUSTRIES

daviteq

SKU: WSSFC-G4H

## SIGFOX-READY GAS SENSOR FOR GENERAL INDUSTRIES WSSFC-G4H



WSSFC-G4F is a Sigfox-ready sensor line which detect different gases in the air such as O<sub>2</sub>, CO<sub>2</sub>, CO, SO<sub>2</sub>, H<sub>2</sub>S, NO<sub>2</sub>, H<sub>2</sub>, NH<sub>3</sub>, CH<sub>4</sub> and C<sub>3</sub>H<sub>8</sub>. The sensor is optimally designed for applications in light industries or commercial buildings. With ultra-low-power design and smart firmware, the sensor can last more than 5 years with 15 minutes update time, with only 1 size-D battery. The sensor supports Sigfox zones RC1, RC2 and RC4.

Typical applications: Kitchen and food processing; production facilities and factories; hospital; retail store; transportation and logistics; laboratory; hotel and entertainment; apartment.

WSSFC-G4H-H1.PNG



- ✓ **SIGFOX-READY**  
Support Sigfox Zones RC1, RC2, and RC4
- ✓ **> 5-YEAR BATTERY**  
With ultra-low-power design and smart firmware, the sensor can last more than 5 years with single size-D battery
- ✓ **IP66 RATING**  
Polycarbonate housing with IP66
- ✓ **PLUG & PLAY**  
The sensor is pre-configured before shipping

## WIRELESS GAS SENSOR MOUNTING ON THE WALL



WSSFC-G4H-H2.PNG

### DAVITEQ TECHNOLOGIES INC

No.11 Street 2G, Nam Hung Vuong Res., An Lac Ward, Binh Tan Dist., Ho Chi Minh City, Vietnam  
+84.28.6268.2523 / 6268.2524  
info@daviteq.com

www.daviteq.com

NOV-2021 | Doc No: WSSFC-G4H-DS-EN-10

1/4

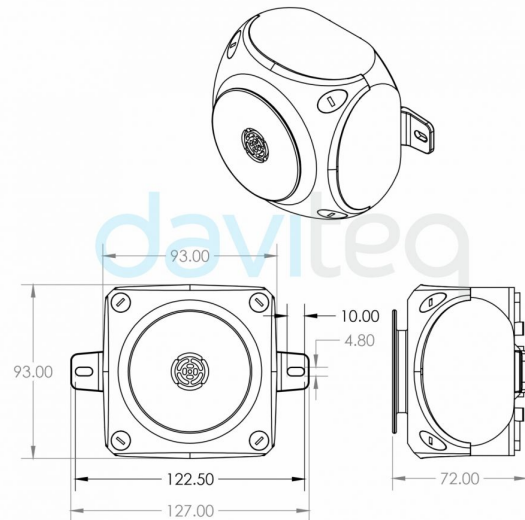
## SPECIFICATION

Type of measuring gas	choose 1 of CH <sub>4</sub> , C <sub>3</sub> H <sub>8</sub> , O <sub>2</sub> , CO <sub>2</sub> , CO, SO <sub>2</sub> , H <sub>2</sub> S, NO <sub>2</sub> , H <sub>2</sub> , NH <sub>3</sub> gases
Measurement technology	high performance NDIR, high performance electrochemical sensor
Measuring range	0 - 100% LEL for CH <sub>4</sub> , C <sub>3</sub> H <sub>8</sub> , O <sub>2</sub> 0-25%, CO <sub>2</sub> 0-5000ppm, CO 0-200ppm, SO <sub>2</sub> 0-20ppm, H <sub>2</sub> S 0-50ppm, NO <sub>2</sub> 0-20ppm, H <sub>2</sub> 0-1000ppm, NH <sub>3</sub> 0-100ppm
Resolution	0.1% or 0.1ppm, 0.01 ppm
Sensor working temperature	-20 to 60°C
Sensor Working humidity	15-90% RH, non-condensing
MTBF (lamp dependent only)	> 10 years for CH <sub>4</sub> , C <sub>3</sub> H <sub>8</sub> and CO <sub>2</sub> sensors, 2 years for remaining sensors
Operating pressure	700kPa to 1300kPa
Sigfox regions supported	RC1, RC2 and RC4
Antenna	Internal antenna 2.67 dBi
Data sending mode	interval, alarm occurs and is activated by magnet key.
RF module compliant	ETSI EN 300 220, EN 303 204 (Europe) FCC CFR47 Part15 (USA), ARIB STD-T108 (Japan)
Configuration	via USB cable (PC software provided free of charge)
Battery	01 x LiSOCI <sub>2</sub> 3.6V battery
Housing	Polycarbonate, IP66
Dimensions	H154xW104xD70
Net weight	< 300 grams (without battery)
Installation	Wall bracket

## WIRELESS GAS SENSOR MOUNTING ON THE CEILING



WSSFC-G4H-H3.PNG

DIMENSION DRAWING OF WIRELESS SENSOR  
(Unit: mm)

WSSFC-G4H-H4.PNG

## DAVITEQ TECHNOLOGIES INC

No.11 Street 2G, Nam Hung Vuong Res., An Lac Ward, Binh Tan Dist., Ho Chi Minh City, Vietnam

+84.28.6268.2523 / 6268.2524

info@daviteq.com

www.daviteq.com

NOV-2021 | Doc No: WSSFC-G4H-DS-EN-10

2/4

RECOMMENDED BATTERY

Saft LS33600 D Type 3.6V  
Li-SOCl<sub>2</sub> battery



-60°C/+85°C (-76°F/+185°F) Working Temperature

61.200 mWh Capacity

WSSFC-G4H-H5.PNG



WSSFC-G4H-H6.PNG

## ORDERING INFORMATION

WSSFC-G4F-CH4-01	SIGFOX-READY FLAMMABLE GAS SENSOR CH4, 0-100% LEL, 3.6V BATTERY, IP66, RC1, RC2 AND RC4
WSSFC-G4F-C3H8-01	SIGFOX-READY FLAMMABLE GAS SENSOR C3H8, 0-100% LEL, 3.6V BATTERY, IP66, RC1, RC2 AND RC4
WSSFC-G4F-O2-25	SIGFOX-READY OXYGEN GAS SENSOR, 0-25%, BATTERY 3.6V, IP66, RC1, RC2 AND RC4
WSSFC-G4H-CO2-5K	SIGFOX-READY CO2 SENSOR, 0-5000PPM, 3.6V BATTERY, IP66, RC1, RC2 AND RC4
WSSFC-G4H-CO-200	SIGFOX-READY CO SENSOR, 0-200PPM, 3.6V BATTERY, IP66, RC1, RC2 AND RC4
WSSFC-G4H-SO2-20	SIGFOX-READY SO2 SENSOR, 0-20PPM, 3.6V BATTERY, IP66, RC1, RC2 AND RC4
WSSFC-G4H-H2S-50	SIGFOX-READY H2S SENSOR, 0-50PPM, 3.6V BATTERY, IP66, RC1, RC2 AND RC4
WSSFC-G4H-NO2-20	SIGFOX-READY NO2 SENSOR, 0-20PPM, 3.6V BATTERY, IP66, RC1, RC2 AND RC4
WSSFC-G4H-H2-1K	SIGFOX-READY HYDROGEN GAS SENSOR, 0-1000PPM, 3.6V BATTERY, IP66, RC1, RC2 AND RC4
WSSFC-G4F-NH3-100	SIGFOX-READY AMMONIAC GAS SENSOR, 0-100PPM, 3.6V BATTERY, IP66, RC1, RC2 AND RC4

## DAVITEQ TECHNOLOGIES INC

No.11 Street 2G, Nam Hung Vuong Res., An Lac Ward, Binh Tan Dist., Ho Chi Minh City, Vietnam

+84.28.6268.2523 / 6268.2524

info@daviteq.com

www.daviteq.com

NOV-2021 | Doc No: WSSFC-G4H-DS-EN-10

4/4