

EX D APPROVED SIGFOX READER FOR ELECTRONIC VOLUME CORRECTOR

SKU: WSSFCEX-EVC

Ex d Approved **SIGFOX** Reader for Electronic Volume Corrector
WSSFCEX-EVC



WSSFCEX-EVC-H1.PNG



WSSFCEX-EVC is the Sigfox reader to read process data from Electronics Volume Corrector (EVC) with Exd approval for installation in Zone 1, Zone 2 or Safe Zone, and it can connect to any EVC with Modbus RTU communication or Mercury proprietary protocol. It will automatically read those parameters from EVC: corrected volume, un-corrected volume, gas pressure, gas temperature...With Ultra-low-power design and smart firmware allow the Sigfox device can last up to 10 years with single 2 x AA batteries (depends on configuration). It can supports all regions of Sigfox network in over the World, RC1, RC2, RC3, RC4, RC5, RC6, RC7. Typical applications are monitoring of Gas metering skids, Gas metering system for Natural Gas, LNG, CNG...

- ✔ **SIGFOX READY**
Device are best operating performance on the SIGFOX network
- ✔ **10 YEAR BATTERY**
Ultra-low power sensing technology from Daviteq with Ultra-low power wireless technology allow the sensor can last up to 10 years with 02xAA batteries
- ✔ **SUPPORT MERCURY PROTOCOL**
The device can connects to any EVC with Mercury proprietary protocol
- ✔ **EXD DESIGNS**
Exd approval for installation in Zone 1, Zone 2 or Safe Zone

CONNECT TO ANY ELECTRONIC VOLUME CORRECTOR



WSSFCEX-EVC-H2.PNG

DAVITEQ TECHNOLOGIES INC

No.11 Street 2G, Nam Hung Vuong Res., An Lac Ward, Binh Tan Dist., Ho Chi Minh City, Vietnam

+84.28.6268.2523 / 6268.2524

info@daviteq.com

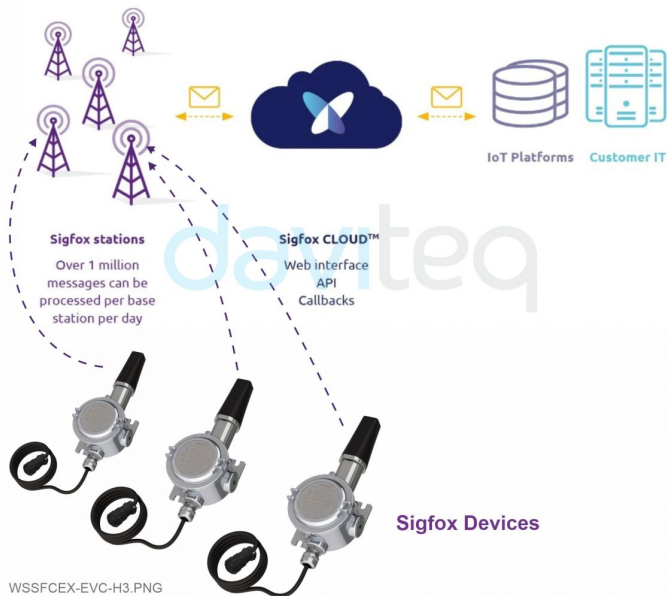
www.daviteq.com

APR-2021 | Doc No: WSSFCEX-EVC-DS-EN-10

SPECIFICATION

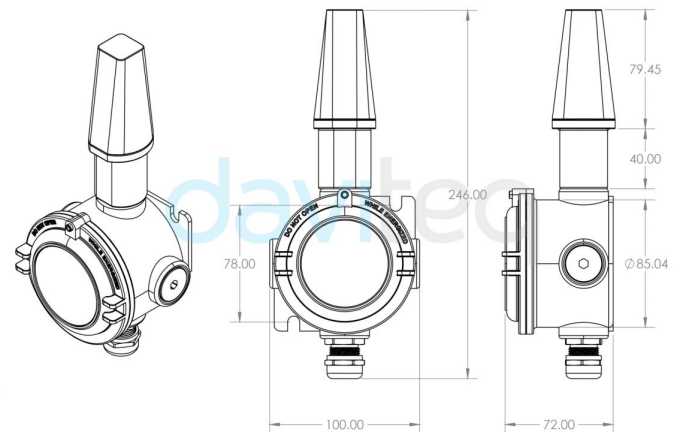
Type of EVC to connect	Connect to any Electronic Volume Corrector with Modbus RTU or Mercury protocol
Connector	Standard is AMP connector to work with Mercury Mini-Max EVC, for other EVC pls specify when ordering
Cable length	10m shielded cable
Sigfox zones	select RC2-RC3-RC4-RC5 or RC1-RC6-RC7
Antenna	N-male type external Antenna
Battery	02 x AA Type 1.5VDC, working time up to 10 years (depends on configuration)
ATEX Certificates	IMQ 14 ATEX 005 X and TUV CY 18 ATEX 0206158 X
Marking	ATEX II 2G Ex db IIC T5/T6 Gb and ATEX II 2D Ex tb IIIC T100/T85°C Db
Directive	ATEX 2014/34/EU
Standards	IEC-EN60079-0 IEC-EN60079-1 IEC-EN60079-31
Applicable zones	Zone 1 - 21 (gas) and Zone 2 - 22 (dust)
Ambient working temperature	-40°C..+85°C
Housing	Cast aluminium, powder coated, IP66
Mounting	wall mounting holes
Product dimensions	H210xW100xD72
Net weight	1.5 kgs
Packaging dimension	W160 x D150 x H250 mm
Gross weight	< 1.6 kgs

SYSTEM ARCHITECTURE



DIMENSION DRAWING OF SIGFOX DEVICE

(Unit: mm)



RECOMMENDED BATTERIES FOR SIGFOX DEVICE

E91 AA Alkaline battery



-18 .. + 60 oC working temperature

10-year shelf life

3000 mAh Capacity

Price: 1X

L91 AA Lithium battery



-40 .. + 60 oC working temperature

20-year shelf life

3500 mAh Capacity

Price: 3.5X

WSSFCEX-EVC-H5.PNG

ORDERING INFORMATION

ITEM CODE	DESCRIPTIONS
WSSFCEX-EVC-9-MINI-MAX-Z1	SIGFOX MERCURY EVC MINI-MAX READER, ATEX EXD APPROVAL ZONE 1/2, M20 CABLE GLAND WITH 10M SHIELDED CABLE AND AMP CONNECTOR, IP67 CAST ALUMINUM HOUSING, TYPE AA BATTERY 1.5VDC, RC2-RC3-RC4-RC5 ZONES
WSSFCEX-EVC-8-MINI-MAX-Z1	SIGFOX MERCURY EVC MINI-MAX READER, ATEX EXD APPROVAL ZONE 1/2, M20 CABLE GLAND WITH 10M SHIELDED CABLE AND AMP CONNECTOR, IP67 CAST ALUMINUM HOUSING, TYPE AA BATTERY 1.5VDC, RC1-RC6-RC7 ZONES

DAVITEQ TECHNOLOGIES INC

No.11 Street 2G, Nam Hung Vuong Res., An Lac Ward, Binh Tan Dist., Ho Chi Minh City, Vietnam

+84.28.6268.2523 / 6268.2524

info@daviteq.com

www.daviteq.com

APR-2021 | Doc No: WSSFCEX-EVC-DS-EN-10

4/4