

SIGFOX-READY ULTRASONIC LEVEL SENSOR

daviteq

SKU: WSSFC-ULC

SIGFOX ULTRASONIC LEVEL SENSOR WSSFC-ULC



WSSFC-ULC-H1.PNG

WSSFC-ULC is a Sigfox-Ready Ultrasonic Level Sensor to measure the level of liquid surface of water, oil... This level sensor utilises the ultrasonic technology to measure the surface of liquid, the principle is to measure the time of flight of the ultrasound pulse in the air environment. The ultrasound pulse will be ejected from ultrasonic transducer, go thru the air and reaching the surface of liquid, then reflected back to the ultrasonic transducer, the measuring circuit will measure the time of flight of the Pulse then calculate the distance from transducer to the surface. With Ultra-low Power design and smart firmware allow the sensor can last up to 10 years with 02 x AA-type batteries (depends on configuration). WSSFC-ULC can support all regions of Sigfox network in over the World, RC1, RC2, RC4.



SIGFOX READY

Device are best operating performance on the SIGFOX network



10 YEAR BATTERY

Ultra-low power sensing technology from Daviteq with Ultra-low power wireless technology allow the sensor can last up to 10 years with 02 x AA-Type batteries.



HIGH ACCURACY & STABLE

Advanced ultrasonic sensor with digital signal processing to deliver high accuracy and stable measurement of level or distance for liquid or solid surface



OUTDOOR & EASY CLEANING

IP68 design for both Indoor and Outdoor applications and easy cleaning

DETECT WATER LEVEL ON THE CULVERT, RIVER,...



WSSFC-ULC-H2.PNG

DAVITEQ TECHNOLOGIES INC

No.11 Street 2G, Nam Hung Vuong Res., An Lac Ward, Binh Tan Dist., Ho Chi Minh City, Vietnam

+84.28.6268.2523 / 6268.2524

info@daviteq.com

www.daviteq.com

OCT-2021 | Doc No: WSSFC-ULC-DS-EN-10

1/4

SPECIFICATION

SENSORS SPECIFICATION:	
Sensor	Ultrasonic sensor
Measurement range	280 .. 7500 mm
Resolution	±5.0mm
Accuracy	±10 mm + S*0.3% (with S is the measured value)
Sensor sampling rate	configurable from 10s up to 3600s
Alarm setting	setting the alarm threshold for calculated value
Sigfox SPECIFICATION:	
Sigfox zones	select RC2-RC4 or RC1
Antenna	Gain 2dbi
Battery	02 x AA Type 1.5VDC, working time up to 10 years (depends on configuration)
RF Module complies to	CE, FCC, ARIB
Working temperature	-40°C..+60°C (with AA L91 Energizer)
Dimensions	H180xW50xD40
Net-weight	250 grams
Housing	Polycarbonate & POM plastic, IP68

WIRELESS LEVEL SENSOR INSTALLED ON WATER TANK



WSSFC-ULC-H3.PNG

SYSTEM ARCHITECTURE



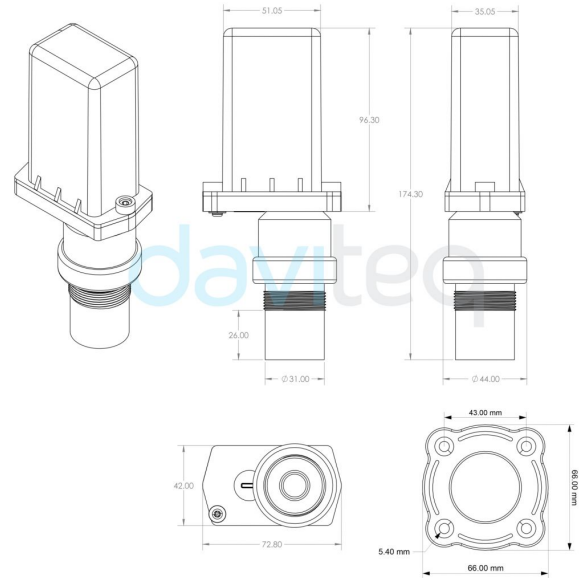
WSSFC-ULC-H4.PNG

PACKAGE INCLUDES



WSSFC-ULC-H5.PNG

DIMENSION DRAWING OF WIRELESS SENSOR



WSSFC-ULC-H6.PNG

RECOMMENDED BATTERIES FOR SIGFOX SENSOR

L91 AA Lithium battery



- 40 .. + 60 oC working temperature
- 20-year shelf life
- 3500 mAh Capacity
- Price: 3.5X

WSSFC-ULC-H7.PNG



WSSFC-ULC-H8.PNG

ORDERING INFORMATION

ITEM CODE	DESCRIPTIONS
WSSFC-ULC-9-01	Sigfox-Ready Ultrasonic Level Sensor for General Level/Distance Measurement, 30-600CMS, Internal antenna, Type AA battery 1.5VDC, IP68, RC2-RC4 zones
WSSFC-ULC-8-01	Sigfox-Ready Ultrasonic Level Sensor for General Level/Distance Measurement, 30-600CMS, Internal antenna, Type AA battery 1.5VDC, IP68, RC1 zones

DAVITEQ TECHNOLOGIES INC

No.11 Street 2G, Nam Hung Vuong Res., An Lac Ward, Binh Tan Dist., Ho Chi Minh City, Vietnam

+84.28.6268.2523 / 6268.2524

info@daviteq.com

www.daviteq.com

OCT-2021 | Doc No: WSSFC-ULC-DS-EN-10