

SIGFOX NODE PROCESS PRESSURE SENSOR

SKU: WSSFC-PPS

SIGFOX Node Process Pressure Sensor WSSFC-PPS



sigfox



10-Year



IP67
WEATHERPROOF



WSSFC-PPS-H1.PNG

WSSFC-PPS is a Sigfox node integrated Process Pressure Sensor, and it has different kinds of measurements, such as Gage/Absolute/Sealed Gage, range -1 .. + 700 bar, high accuracy, and stability. The sensor will transmit data in kilometers distance to Sigfox basestation. WSSFC-PPS can support all regions of Sigfox network in over the World, RC1, RC2, RC3, RC4, RC5, RC6, RC7.



SIGFOX READY

Device are best operating performance on the SIGFOX network



10 YEAR BATTERY

Ultra-low power sensing technology from Daviteq with Ultra-low power wireless technology allow the sensor can last up to 10 years with a 2 x AA Type battery.



HIGH ACCURACY & STABLE

Advanced PIEZO technology to deliver high accuracy and stable measurement



OUTDOOR DESIGN

IP67 design for both Indoor and Outdoor applications

PRESSURE SENSOR INSTALLED ON THE WATER PIPE



sigfox



10-Year



IP67
WEATHERPROOF



WSSFC-PPS-H2.PNG

DAVITEQ TECHNOLOGIES INC

No.11 Street 2G, Nam Hung Vuong Res., An Lac Ward, Binh Tan Dist., Ho Chi Minh City, Vietnam

+84.28.6268.2523 / 6268.2524

info@daviteq.com

www.daviteq.com

JAN-2021

| Doc No: WSSFC-PPS-DS-EN-10

SPECIFICATION

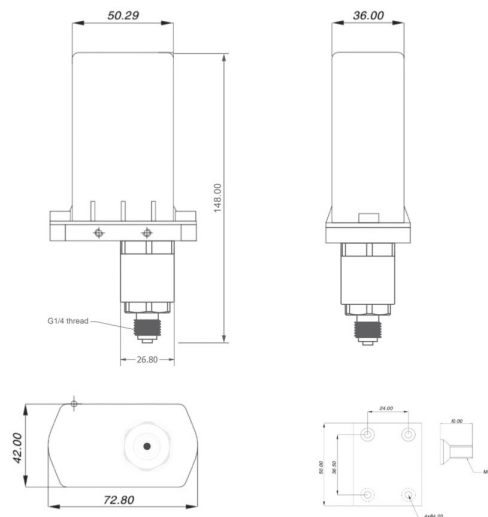
SENSORS SPECIFICATION:	
Sensor	Advanced PIEZO technology
Measurement range	Select from -1 .. + 700 bar Gage/Absolute/Sealed Gage
Over pressure protection	1.5 x Span
Accuracy & Stability	0.5% of span, < 0.3% span/year
Wetted parts	304SS/316SS
Measuring Fluids	Any fluid which is workable with materials 304SS/316SS
Working temperature	-10 .. + 80 oC
Process connection	Standard G1/4 or Others (consult factory)
Sigfox SPECIFICATION:	
Sigfox zones	select RC2-RC3-RC4-RC5 or RC1-RC6-RC7
Antenna	Internal Antenna 2dbi
Battery	02 x AA Type 1.5VDC, working time up to 10 years (depends on configuration)
RF Module complies to	CE, FCC, ARIB
Working temperature	-40oC..+60oC (using Energizer Lithium Ultimate AA battery)
Dimensions	H180xW50xD40
Net-weight	250 grams
Housing	Polycarbonate & POM plastic, IP67

SYSTEM ARCHITECTURE



WSSFC-PPS-H3.PNG

DIMENSION DRAWING OF WIRELESS SENSOR
(Unit: mm)



WSSFC-PPS-H4.PNG

RECOMMENDED BATTERIES

E91 AA Alkaline battery



-18 .. + 60 oC working temperature

10-year shelf life

3000 mAh Capacity

Price: 1X

L91 AA Lithium battery



-40 .. + 60 oC working temperature

20-year shelf life

3500 mAh Capacity

Price: 3.5X

WSSFC-PPS-H5.PNG

ORDERING INFORMATION

ITEM CODE	DESCRIPTIONS
WSSFC-PPS-9-10	Sigfox Node Gage Process Pressure Sensor, Internal antenna, range 0-10 barg, accuracy 0.5%, process connection G1/4-male, 304SS, Type AA battery 1.5VDC, IP67, RC2-RC3-RC4-RC5 zones
WSSFC-PPS-8-10	Sigfox Node Gage Process Pressure Sensor, Internal antenna, range 0-10 barg, accuracy 0.5%, process connection G1/4-male, 304SS, Type AA battery 1.5VDC, IP67, RC1-RC6-RC7 zones

DAVITEQ TECHNOLOGIES INC

No.11 Street 2G, Nam Hung Vuong Res., An Lac Ward, Binh Tan Dist., Ho Chi Minh City, Vietnam

+84.28.6268.2523 / 6268.2524

info@daviteq.com

www.daviteq.com

JAN-2021 | Doc No: WSSFC-PPS-DS-EN-10

4/4