

SIGFOX LIDAR PEOPLE COUNTER



SKU: WSSFC-LPC

SIGFOX LIDAR PEOPLE COUNTER WSSFC-LPC



WSSFC-LPC is a Sigfox sensor with built-in advanced Lidar sensor to detect and ranging people. It can count the people walk thru with accuracy higher than 95%. The sensor is not affected by temperature, humidity, RF noise and less affected by ambient light... With Ultra-low power design and smart firmware allow the complete Wireless and Sensor package run on AA battery 1.5V in many years. Moreover, it can be powered by external power supply at the same time. It can support all regions of Sigfox network in over the World, RC1, RC2, RC3, RC4, RC5, RC6, RC7.

Typical Applications: People counter for public toilet, people counter for store, shop,...



WSSFC-LPC-H1.PNG

- ✓ **SIGFOX READY**
Device are best operating performance on the SIGFOX network
- ✓ **HIGH ACCURACY & STABLE**
High accuracy counting by Lidar
- ✓ **DISTINGUISH PEOPLE IN AND OUT**
Smart software and built-in sensors can distinguish people from entering and leaving accurately
- ✓ **ULTRA-LOW POWER WITH 5 YEARS BATTERY**
Ultra-low power sensing technology from Daviteq with Ultra-low power wireless technology allow the sensor can operate for years with AA batteries 1.5VDC
- ✓ **PLUG & PLAY**
Everything is pre-installed so customers don't have to do anything

People Counter for Store, Shop...



WSSFC-LPC-H2.PNG

DAVITEQ TECHNOLOGIES INC

No.11 Street 2G, Nam Hung Vuong Res., An Lac Ward, Binh Tan Dist., Ho Chi Minh City, Vietnam

+84.28.6268.2523 / 6268.2524

info@daviteq.com

www.daviteq.com

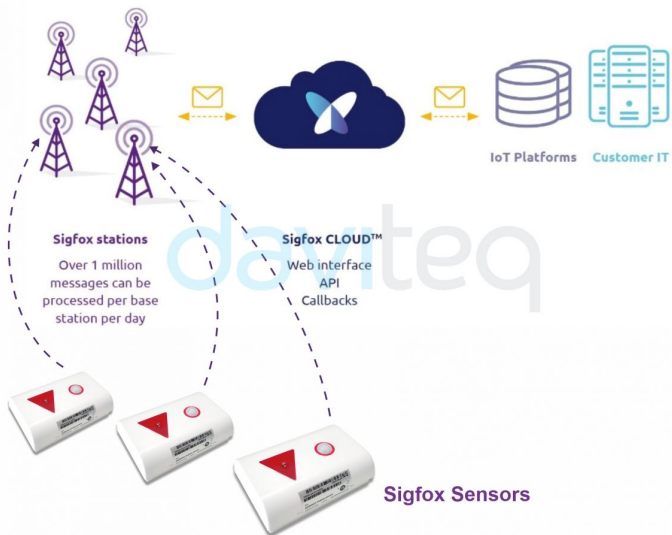
NOV-2021 | Doc No: WSSFC-LPC-DS-EN-10

1/4

SPECIFICATION

SENSOR SPECIFICATION:	
Sensor technology	Lidar
Detection range	max 4m
Detection cone	27 degree
Working temperature	-40°C .. + 60°C
Working humidity	0 .. 100% RH, non-condensing
SIGFOX SPECIFICATION:	
Sigfox zones	select RC2-RC3-RC4-RC5 or RC1-RC6-RC7
Functions	Sending data in interval or when alarms occur
Antenna	Internal Antenna 2 dbi
Configuration	via offline USB cable (PC software is supplied at free)
Power Supply	Battery AA Type 1.5VDC and 7..48VDC (AC adapter not included)
RF Module complies to	CE, FCC, ARIB
Working temperature	-40°C..+60°C (with Lithium Ultimate AA battery)
Dimensions	H120xW80xD45
Net-weight	< 150 grams
Housing	Self-extinguisher ABS, Dust and vapor protection
Mounting	Ceiling mount

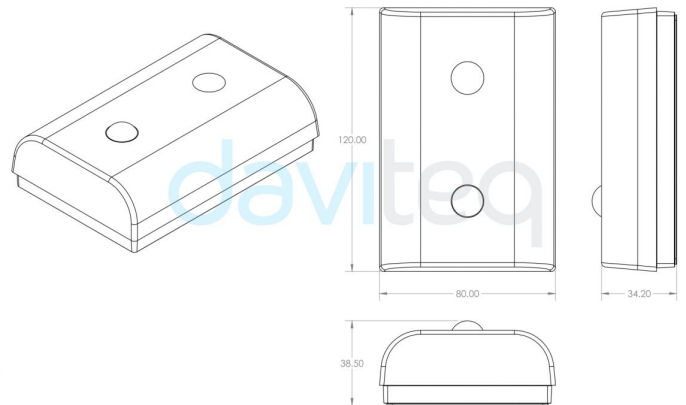
SYSTEM ARCHITECTURE



WSSFC-LPC-H3.PNG

DIMENSION DRAWING OF WIRELESS SENSOR

(Unit: mm)



WSSFC-LPC-H4.PNG

RECOMMENDED BATTERIES

E91 AA Alkaline battery



L91 AA Lithium battery



-18 .. + 60 oC working temperature

10-year shelf life

3000 mAh Capacity

Price: 1X

-40 .. + 60 oC working temperature

20-year shelf life

3500 mAh Capacity

Price: 3.5X

WSSFC-LPC-H5.PNG

WSSFC-LPC-H6.PNG

daviteq BLANK

ORDERING INFORMATION

ITEM CODE	DESCRIPTIONS
WSSFC-LPC-9-01	SIGFOX LIDAR PEOPLE COUNTER, INTERNAL ANTENNA, TYPE AA BATTERY 1.5VDC, IP5X, RC2-RC3-RC4-RC5 ZONES
WSSFC-LPC-8-01	SIGFOX LIDAR PEOPLE COUNTER, INTERNAL ANTENNA, TYPE AA BATTERY 1.5VDC, IP5X, RC1-RC6-RC7 ZONES

DAVITEQ TECHNOLOGIES INC

No.11 Street 2G, Nam Hung Vuong Res., An Lac Ward, Binh Tan Dist., Ho Chi Minh City, Vietnam

+84.28.6268.2523 / 6268.2524

info@daviteq.com

www.daviteq.com

NOV-2021 | Doc No: WSSFC-LPC-DS-EN-10