

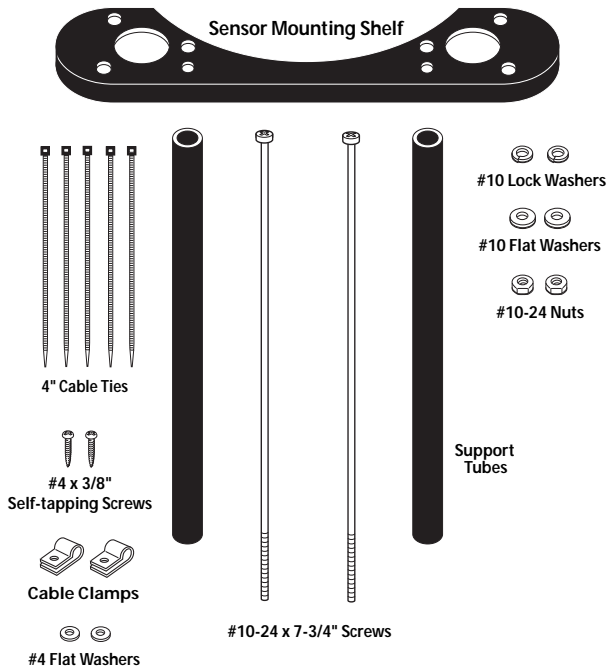
Sensor Mounting Shelf

for Vantage Pro2™ and Vantage Pro®

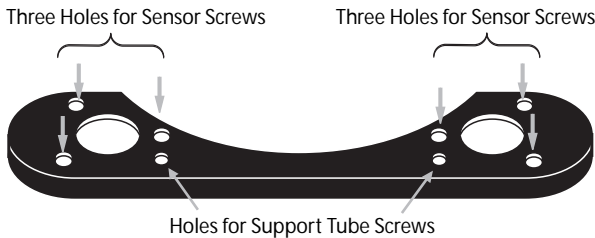
The Sensor Mounting Shelf is for use with the Integrated Sensor Suite (ISS) of the Vantage Pro2 and Vantage Pro. The shelf has mounting provisions for a Solar Radiation Sensor and an Ultraviolet Radiation (UV) Sensor. This manual contains instructions for installing the shelf on the ISS. Please refer to the appropriate sensor installation manual for instructions on mounting sensors.

Components

The Sensor Mounting Shelf includes the following components:



Use this illustration to identify which holes to use for the support tube screws.



Tools for Setup

- Medium Phillips screwdriver

Installing on a Vantage Pro2 ISS

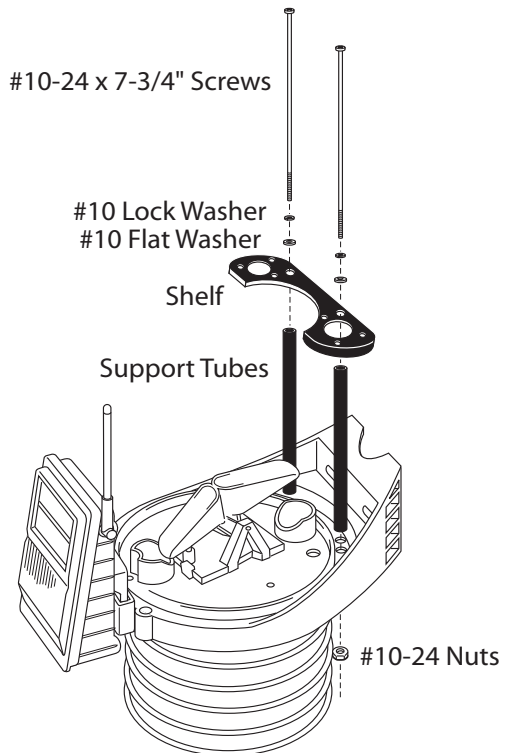
Note: If you have an original Vantage Pro, see instructions on the following page.

This shows installation of the Sensor Mounting Shelf before either the Solar Radiation or UV Sensor has been attached to it. The sensors may be mounted on the shelf before it is installed on the ISS. Refer to your sensor manual for instructions. It makes no difference which sensor is mounted on the right/left side of the shelf. After the sensors are installed, guide the sensor cables through the inside holes at the rear of the rain collector base.

Note: Final leveling of the sensors should be done after the ISS is mounted in its operating location.

Note: In the illustration, the Rain Collector Cone has been removed for clarity. It is not necessary to remove the cone to install the Sensor Mounting Shelf.

1. Place a support tube on each of the outside mounting holes at the rear of the rain collector base as illustrated.
2. Place a lock washer and a flat washer onto one of the 7-3/4" screws.
3. Locate the support tube mounting holes in the shelf. Refer to the illustration on page 2.
4. With the shelf support tube hole centered over the tube, insert the screw through the shelf, the tube and the base.
5. Place a nut in the opening of the hexagonal recess on the underside of the base.
6. Turn the screw until the assembly is loosely held together.
7. Repeat steps 1–6 with the second support tube and screw.
8. On the underside of the Sensor Mounting Shelf, verify that the tops of both support tubes are located inside the circular recesses in the shelf.
9. Tighten both support tube screws.



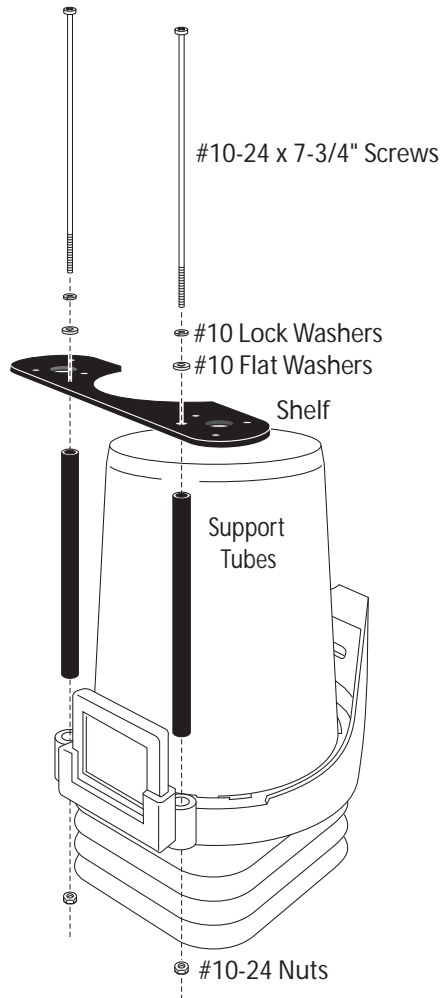
Note: Do **NOT** install the shelf using the holes in front of the Rain Collector Cone, as this will impair radio reception.

Installing on an Original Vantage Pro ISS

This manual shows installation of the Sensor Mounting Shelf before either the Solar Radiation or UV Sensor has been attached to it. One or both sensors may also be mounted on the shelf before it is installed on the ISS. Consult the appropriate sensor manual for instructions. It makes no difference which sensor is mounted on the right/left side of the shelf.

Note: Final leveling of the sensors should be done after the ISS is mounted in its operating location.

1. Place a support tube on one of the two mounting holes in the rain collector base, as shown..
2. Place a lock washer and a flat washer onto one of the 7-3/4" screws.
3. Locate the support tube mounting holes in the shelf. Refer to the illustration on the page 2.
4. With the shelf support tube hole centered over the tube, insert the screw through the shelf, the tube and the base.
5. Place a nut in the opening of the hexagonal recess on the underside of the base.
6. Turn the screw until the assembly is loosely held together.
7. Repeat steps 1–6 with the second support tube and screw.
8. On the underside of the Sensor Mounting Shelf, verify that the tops of both support tubes are located inside the circular recesses in the shelf.
9. Tighten both support tube screws.



Supplied in Australia by Instrument Choice
Call our scientists on 1300 737 871
www.instrumentchoice.com.au

Contacting Davis Technical Support

If you have questions about the Sensor Mounting Shelf, or encounter problems installing it, please contact Davis Technical Support.

(510) 732-7814 – Monday – Friday, 7:00 a.m. – 5:30 p.m. Pacific Time.

(510) 670-0589 – Technical Support Fax.

support@davisnet.com – E-mail to Technical Support.

info@davisnet.com – General e-mail.

www.davisnet.com – Copies of User Manuals are available on the “Support” page.
Watch for FAQs and other updates. Subscribe to the e-newsletter.

Supplied in Australia by Instrument Choice
Call our scientists on 1300 737 871
www.instrumentchoice.com.au

Sensor Mounting Shelf for Vantage Pro2 and Vantage Pro

Product Number: 6673

Part Number: 07395.133 Rev C (February 18, 2011)

Vantage Pro2™ and Vantage Pro® are trademarks of Davis Instruments Corp., Hayward, CA.

Information in this document subject to change without notice.

Copyright © 2011, Davis Instruments Corp. All rights reserved.

Davis Instruments Quality Management System is ISO 9001 certified.



3465 Diablo Avenue, Hayward, CA 94545-2778 U.S.A.

510-732-9229 • Fax: 510-732-9188

E-mail: info@davisnet.com • www.davisnet.com