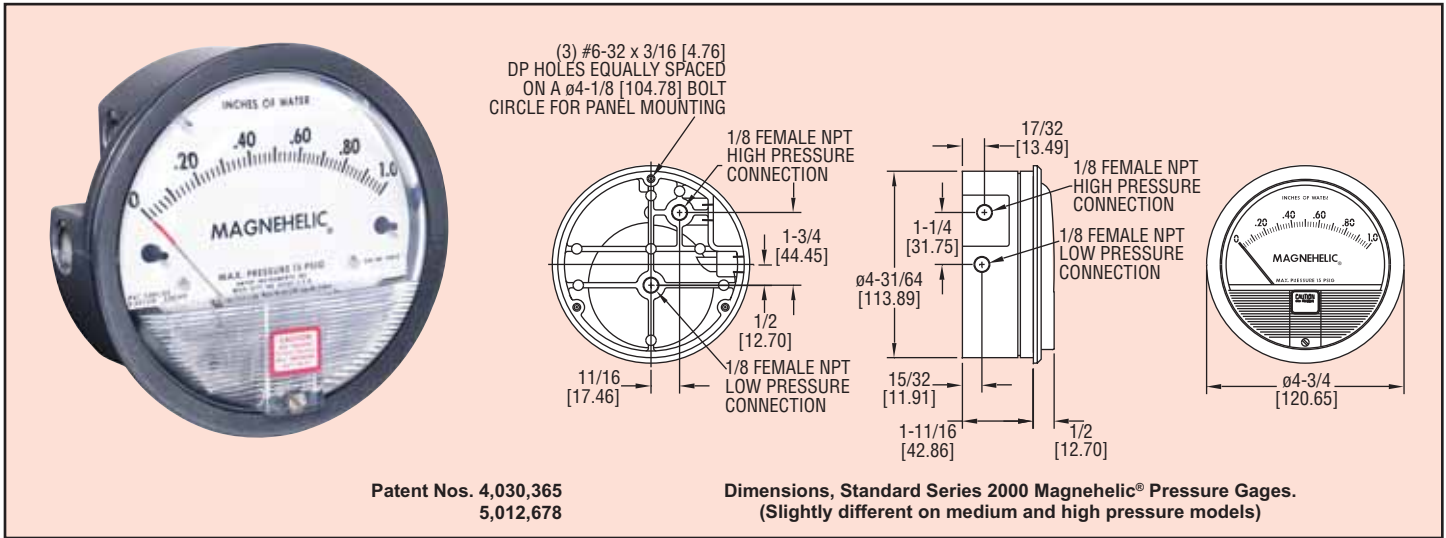




Series
2000

Magnehelic® Differential Pressure Gages

Indicate Positive, Negative or Differential, Accurate within 2%

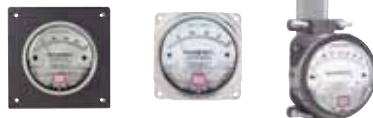


Select the Dwyer® Magnehelic® gage for high accuracy – guaranteed within 2% of full scale – and for the wide choice of 81 models available to suit your needs precisely. Using Dwyer's simple, frictionless Magnehelic® gage movement, it quickly indicates low air or non-corrosive gas pressures – either positive, negative (vacuum) or differential. The design resists shock, vibration and over-pressures. No manometer fluid to evaporate, freeze or cause toxic or leveling problems. It's inexpensive, too. The Magnehelic® gage is the industry standard to measure fan and blower pressures, filter resistance, air velocity, furnace draft, pressure drop across orifice plates, liquid levels with bubbler systems and pressures in fluid amplifier or fluidic systems. It also checks gas-air ratio controls and automatic valves, and monitors blood and respiratory pressures in medical care equipment.

Note: May be used with Hydrogen. When ordering a Buna-N diaphragm pressures must be less than 35 psi.

Mounting

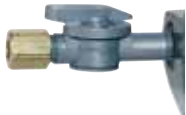
A single case size is used for most models of Magnehelic® gages. They can be flush or surface mounted with standard hardware supplied. With the optional A-610 Pipe Mounting Kit they may be conveniently installed on horizontal or vertical 1-1/4" - 2" pipe. Although calibrated for vertical position, many ranges above 1" may be used at any angle by simply re-zeroing. However, for maximum accuracy, they must be calibrated in the same position in which they are used. These characteristics make Magnehelic® gages ideal for both stationary and portable applications. A 4-9/16" hole is required for flush panel mounting. Complete mounting and connection fittings plus instructions are furnished with each instrument.



Flush...Surface... or Pipe Mounted

Vent Valves

In applications where pressure is continuous and the Magnehelic® gage is connected by metal or plastic tubing which cannot be easily removed, we suggest using Dwyer A-310A vent valves to connect gage. Pressure can then be removed to check or re-zero the gage.



High and Medium Pressure Models

Installation is similar to standard gages except that a 4-13/16" hole is needed for flush mounting. The medium pressure construction is rated for internal pressures up to 35 psig and the high pressure up to 80 psig. Available for all models. Because of larger case, the medium pressure and high pressure models will not fit in a portable case size. Installation of the A-321 safety relief valve on standard Magnehelic® gages often provides adequate protection against infrequent overpressure.



SPECIFICATIONS

Service: Air and non-combustible, compatible gases. (Natural Gas option available.)

Wetted Materials: Consult factory.

Housing: Die cast aluminum case and bezel, with acrylic cover. Exterior finish is coated gray to withstand 168 hour salt spray corrosion test.

Accuracy: ±2% of full scale (±3% on -0, -100 Pa, -125 Pa, 10MM and ±4% on -00, -60 Pa, -6MM ranges), throughout range at 70°F (21.1°C).

Pressure Limits: -20" Hg. to 15 psig. † (-0.677 bar to 1.034 bar); MP option: 35 psig (2.41 bar), HP option: 80 psig (5.52 bar).

Overpressure: Relief plug opens at approximately 25 psig (1.72 bar), standard gages only.

Temperature Limits: 20 to 140°F* (-6.67 to 60°C).

Size: 4" (101.6 mm) Diameter dial face.

Mounting Orientation: Diaphragm in vertical position. Consult factory for other position orientations.

Process Connections: 1/8" female NPT duplicate high and low pressure taps - one pair side and one pair back.

Weight: 1 lb 2 oz (510 g), MP & HP 2 lb 2 oz (963 g).

Standard Accessories: Two 1/8" NPT plugs for duplicate pressure taps, two 1/8" pipe thread to rubber tubing adapter and three flush mounting adapters with screws. (Mounting and snap ring retainer substituted for 3 adapters in MP & HP gage accessories.)

*Low temperature models available as special option.

†For applications with high cycle rate within gage total pressure rating, next higher rating is recommended. See Medium and High pressure options at lower left.

OPTIONS AND ACCESSORIES

Transparent Overlays

Furnished in red and green to highlight and emphasize critical pressures.



Adjustable Signal Flag

Integral with plastic gage cover. Available for most models except those with medium or high pressure construction. Can be ordered with gage or separate.



LED Setpoint Indicator

Bright red LED on right of scale shows when setpoint is reached. Field adjustable from gage face, unit operates on 12-24 VDC. Requires MP or HP style cover and bezel.

A-432 Portable Kit

Combine carrying case with any Magnehelic® gage of standard range, except high pressure connection. Includes 9 ft (2.7 m) of 3/16" I.D. rubber tubing, standhang bracket and terminal tube with holder.



A-605 Air Filter Gage Accessory Kit

Adapts any standard Magnehelic® gage for use as an air filter gage. Includes aluminum surface mounting bracket with screws, two 5 ft (1.5 m) lengths of 1/4" aluminum tubing two static pressure tips and two molded plastic vent valves, integral compression fittings on both tips and valves.



Quality design and construction features

Bezel provides flange for flush mounting in panel.

Clear plastic face is highly resistant to breakage. Provides undistorted viewing of pointer and scale.

Precision litho-printed scale is accurate and easy to read.

Red tipped pointer of heat treated aluminum tubing is easy to see. It is rigidly mounted on the helix shaft.

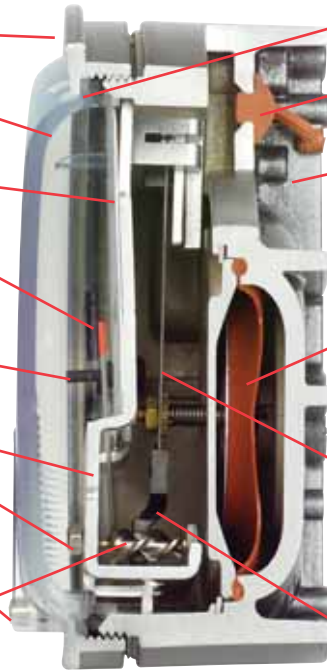
Pointer stops of molded rubber prevent pointer over-travel without damage.

"Wishbone" assembly provides mounting for helix, helix bearings and pointer shaft.

Jeweled bearings are shock-resistant mounted; provide virtually friction-free motion for helix. Motion damped with high viscosity silicone fluid.

Zero adjustment screw is conveniently located in the plastic cover, and is accessible without removing cover. O-ring seal provides pressure tightness.

Helix is precision made from an alloy of high magnetic permeability. Mounted in jeweled bearings, it turns freely, following the magnetic field to move the pointer across the scale.



O-ring seal for cover assures pressure integrity of case.

Blowout plug of silicone rubber protects against overpressure on 15 psig rated models. Opens at approximately 25 psig.

Die cast aluminum case is precision made and iridite-dipped to withstand 168 hour salt spray corrosion test. Exterior finished in baked dark gray hammerloid. One case size is used for all standard pressure options, and for both surface and flush mounting.

Silicone rubber diaphragm with integrally molded O-ring is supported by front and rear plates. It is locked and sealed in position with a sealing plate and retaining ring. Diaphragm motion is restricted to prevent damage due to overpressures.

Calibrated range spring is flat spring steel. Small amplitude of motion assures consistency and long life. It reacts to pressure on diaphragm. Live length adjustable for calibration.

Samarium Cobalt magnet mounted at one end of range spring rotates helix without mechanical linkages.

Series 2000 Magnehelic® Gage — Models and Ranges

Page V shows examples of special models built for OEM customers. For special scales furnished in ounces per square inch, inches of mercury, metric units, square root scales for volumetric flow, etc., contact the factory.

Model	Range Inches of Water	Model	Range PSI	Model	Range MM of Water	Model	Range, kPa	Dual Scale Air Velocity Units For use with pitot tube	
2000-00N†**	.05-0-.2	2201	0-1	2000-6MM†**	0-6	2000-0.5KPA	0-0.5	Model	Range in W.C./ Velocity F.P.M.
2000-00†**	0-.25	2202	0-2	2000-10MM†*	0-10	2000-1KPA	0-1		
2000-0†*	0-.50	2203	0-3	2000-15MM	0-15	2000-1.5KPA	0-1.5	2000-00AV†**	0-.25/300-2000
2001	0-1.0	2204	0-4	2000-25MM	0-25	2000-2KPA	0-2	2000-0AV†*	0-.50/500-2800
2002	0-2.0	2205	0-5	2000-30MM	0-30	2000-2.5KPA	0-2.5	2001AV	0-1.0/500-4000
2003	0-3.0	2210*	0-10	2000-50MM	0-50	2000-3KPA	0-3	2002AV	0-2.0/1000-5600
2004	0-4.0	2215*	0-15	2000-80MM	0-80	2000-4KPA	0-4	2005AV	0-5.0/2000-8800
2005	0-5.0	2220*	0-20	2000-100MM	0-100	2000-5KPA	0-5	2010AV	0-10/2000-12500
2006	0-6.0	2230**	0-30	2000-125MM	0-125	2000-8KPA	0-8		
2008	0-8.0			2000-150MM	0-150	2000-10KPA	0-10		
2010	0-10			2000-200MM	0-200	2000-15KPA	0-15		
2012	0-12			2000-250MM	0-250	2000-20KPA	0-20		
2015	0-15			2000-300MM	0-300	2000-25KPA	0-25		
2020	0-20					2000-30KPA	0-30		
2025	0-25			Zero Center Ranges					
2030	0-30			2300-6MM†**	3-0-3	Zero Center Ranges			
2040	0-40			2300-10MM†*	5-0-5	2300-1KPA	.5-0-.5		
2050	0-50			2300-20MM†*	10-0-10	2300-2KPA	1-0-1		
2060	0-60					2300-2.5KPA	1.25-0-1.25		
2080	0-80					2300-3KPA	1.5-0-1.5		
2100	0-100					Dual Scale English/Metric Models			
2120	0-120					Model	Range, In. W.C.	Range, Pa or kPa	
2150	0-150					2000-0OD†**	0-.25	0-62 Pa	
2160	0-160					2000-0D†*	0-0.5	0-125 Pa	
2180	0-180					2001D	0-1.0	0-250 Pa	
2250	0-250					2002D	0-2.0	0-500 Pa	
Zero Center Ranges						2003D	0-3.0	0-750 Pa	
2300-00†**	0.125-0-0.125					2004D	0-4.0	0-1.0 kPa	
2300-0†*	.25-0-.25					2005D	0-5.0	0-1.25 kPa	
2301	.5-0-.5					2006D	0-6.0	0-1.5 kPa	
2302	1-0-1					2008D	0-8.0	0-2.0 kPa	
2304	2-0-2					2010D	0-10	0-2.5 kPa	
2310	5-0-5					2015D	0-15	0-3.7 kPa	
2320	10-0-10					2020D	0-20	0-5 kPa	
2330	15-0-15					2025D	0-25	0-6.2 kPa	
						2050D	0-50	0-12.4 kPa	
						2060D	0-60	0-15 kPa	
						†These ranges calibrated for vertical scale position.			
						• Accuracy +/-3%			
						• Accuracy +/-4%			
						*MP option standard			
						**HP option standard			
						Zero Center Ranges			
						Model	Range, Pa		
						2300-60PA†**	30-0-30		
						2300-100PA†*	50-0-50		
						2300-120PA	60-0-60		
						2300-200PA	100-0-100		
						2300-250PA	125-0-125		
						2300-300PA	150-0-150		
						2300-500PA	250-0-250		
						2300-1000PA	500-0-500		

ACCESSORIES

- A-299, Surface Mounting Bracket
- A-300, Flat Flush Mounting Bracket
- A-310A, 3-Way Vent Valve
- A-321, Safety Relief Valve
- A-432, Portable Kit
- A-448, 3-piece magnet kit for mounting Magnehelic® gage directly to magnetic surface
- A-605, Air Filter Kit
- A-610, Pipe Mount Kit

- OPTIONS** — To order, add suffix: I.E. 2001-ASF
- ASF, Adjustable Signal Flag
 - HP, High Pressure Option
 - LT, Low Temperatures to -20°F
 - MP, Med. Pressure Option
 - SP, Setpoint Indicator
 - Scale Overlays, Red, Green, Mirrored or Combination, Specify Locations