

# Visible Light SD Card Datalogger

850007

Instruction Manual

**Visible Light SD Card Datalogger 850007**

**Copyright ©2010** by Sper Scientific

ALL RIGHTS RESERVED

Printed in the USA

*The contents of this manual may not be reproduced or transmitted in any form or by any means electronic, mechanical, or other means that do not yet exist or may be developed, including photocopying, recording, or any information storage and retrieval system without the express permission from Sper Scientific.*

**SPER  
SCIENTIFIC** Environmental Measurement Instruments

7720 E. Redfield Rd. Suite #7,  
Scottsdale, AZ 85260  
Tel: (480) 948-4448 Fax: (480) 967-8736  
Web: [www.sperscientific.com](http://www.sperscientific.com)

## TABLE OF CONTENTS

INTRODUCTION.....	4
FEATURES .....	5
MATERIALS SUPPLIED.....	7
POWER SUPPLY.....	8
METER COMPONENTS .....	9
KEYPAD.....	11
SETUP.....	12
MEASUREMENT PROCEDURES..	19
DATALOGGER.....	26
BATTERY REPLACEMENT .....	31
TROUBLESHOOTING.....	32
PC CONNECTION.....	33
OPTIONAL ACCESSORIES.....	38
SPECIFICATIONS .....	39
WARRANTY .....	44

## INTRODUCTION

The Sper Scientific Visible Light SD Card Datalogger (Model 850007) is an intelligent meter that reads light in Lux or Foot Candles and functions as a Type K/J thermocouple thermometer.

This meter features a real time SD memory card datalogger. Standard, portable SD memory cards provide unlimited data storage and upload pre-formatted data directly to Excel, eliminating the need for cables or software. Alternatively, manually record 99 readings for on-screen review or stream data directly to a computer using the optional software and cables. Each data set includes light measurement, time and date.

## FEATURES

- Functions as a light meter and Type K/J thermometer
- Three ranges for light measurement
- Auto range for light measurement
- Lux or Foot Candles unit selection
- SD memory card datalogger
- Manual datalogger option
- Photo sensor spectrum meets CIE
- Zero adjustment
- Highly accurate microcomputer circuit
- RS232 or USB PC connection
- Direct upload of data to Excel
- Detachable probe for measuring flexibility

## **FEATURES**

- Internal clock and calendar
- Touch-tone
- Tripod mounting screw
- Built-in tabletop stand
- Maximum and minimum
- Hold function
- Auto-power-off
- Low battery indicator
- Backlight

## **MATERIALS SUPPLIED**

- Meter
- Sensor
- SD Card
- 6 AA Batteries
- Instruction Manual
- Soft Carrying Case

## POWER SUPPLY

This meter can be powered by six AA (1.5 V, UM3) batteries or an optional 9 Volt DC adapter. See page 31 for battery replacement instructions.

Plug the adaptor into the power port labeled "DC 9V," located on the side of the meter.

**Note...**

When using the adapter, the meter will remain permanently **on** and the **POWER** button will be disabled.

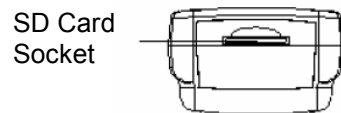


## METER COMPONENTS

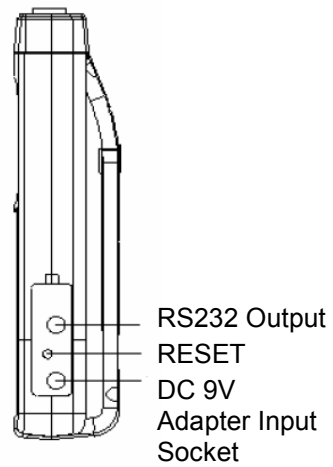
### Top of Meter



### Bottom of Meter

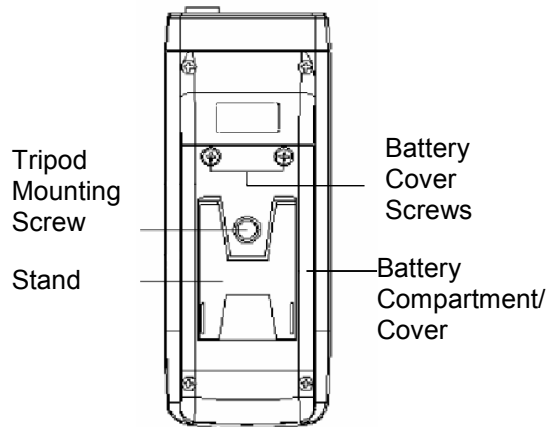


### Side of Meter

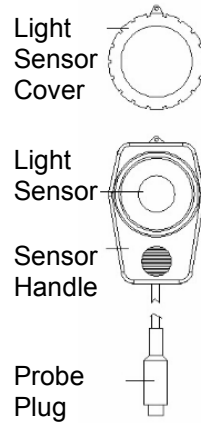


## METER COMPONENTS

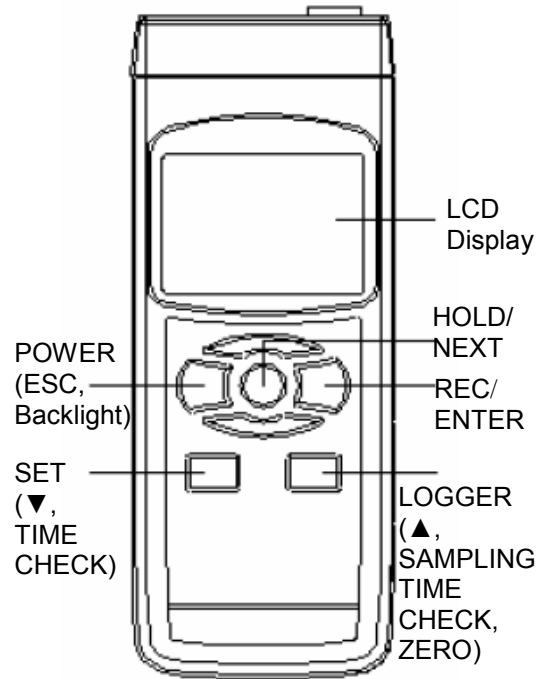
### Back of Meter



### Sensor



# KEYPAD



## SETUP MODE

The advanced Setup Mode allows you to customize the following meter preferences and defaults:

- Real Time Clock
- Decimal Type
- Auto Power Off
- Touch-Tone
- Thermometer Type K/J
- Temperature Units
- Sampling Time
- SD Memory Card Format

**Note...**

The setup functions can be performed under any parameter but not while utilizing the datalogger function. Once selections are saved, the meter will default to the selected preferences. Once a selection is

## SETUP MODE

saved, the meter automatically advances to the next setup function (i.e., after setting the real time clock, the meter will automatically enter the decimal type setup function).

1. Press **POWER** to turn the meter **on**.
2. Press **SET** for 2 seconds or longer to enter Setup Mode.
3. Press **NEXT** to cycle through the setup functions.

### **Note...**

Press **ESC** to exit Setup Mode. The meter will return to Normal Mode.

### **Real Time Clock**

1. Enter the clock function from Setup Mode (as described above). "dAtE" appears on the LCD.
2. Press **ENTER**. The year will appear on the LCD.

## SETUP MODE

3. Press ▲ or ▼ to adjust the value.  
Press **ENTER** to save the value.
4. Repeat Step 3 to adjust the month, date, hour, minute and second.

### **Note...**

This procedure adjusts the meter's internal clock. The internal clock will function when the meter is turned **off** but only when the batteries have adequate power (not with low battery power.)

### **Decimal Type**

Although the decimal is commonly expressed as the "." symbol (i.e., 20.6 or 1000.53), some (European) countries use a "," symbol to represent the decimal (i.e., 20,6 or 1000,53). The meter defaults to the period symbol. To adjust:

1. Enter the decimal type function from Setup Mode (see page 13).  
"dEC" appears on the LCD.

## SETUP MODE

2. Press ▲ or ▼ to select Basic (.) or Euro (,). Press **ENTER** to save the selection.

### Auto Power Off

The meter automatically turns **off** after 10 minutes of inactivity, however this function can be disabled.

1. Enter the auto power off function from Setup Mode (see page 13). "PoFF" appears on the LCD.
2. Press ▲ or ▼ to select yes (auto power off enabled) or no (auto power off disabled). Press **ENTER** to save the selection.

### Touch-Tone

1. Enter the touch-tone function from Setup Mode (see page 13). "bEEP" appears on the LCD.
2. Press ▲ or ▼ to select yes (touch-tone enabled) or no (touch-tone disabled). Press **ENTER** to

## SETUP MODE

save the selection.

### Thermometer Type K/J

1. Enter the thermometer type function from Setup Mode (see page 13). "tYPE" appears on the LCD.
2. Press ▲ or ▼ to select K or J. Press **ENTER** to save the selection.

### Temperature Units

1. Enter the temperature units function from Setup Mode (see page 13). "t-CF" appears on the LCD.
2. Press ▲ or ▼ to select C (degrees Celcius) or F (degrees Farhenheit). Press **ENTER** to save the selection.

### Sampling Time

The sampling time is the time allotted



## SETUP MODE

between successive measurements.  
To adjust the sampling time (in seconds):

1. Enter the sampling time function from Setup Mode (see page 13). “SP-t” appears on the LCD.
2. Press ▲ or ▼ to adjust the value (0, 1, 2, 5, 10, 30, 60, 120, 300, 600, 800, 1800, 3600 seconds). Press **ENTER** to save the value.

### SD Memory Card Format

Enabling this function will format the SD memory card to work specifically with your meter. Formatting the SD card will erase any previous memory on the card. New SD cards should be formatted to work with your meter.

1. Enter the SD memory card format function from Setup Mode (see page 13). “Sd F” appears on the LCD.
2. Press ▲ or ▼ to select yes

## SETUP MODE

(format the SD memory card) or no (do not format the SD memory card). Press **ENTER** to confirm your selection. If selecting yes, “yES Enter” will appear on the LCD, press **ENTER** again and the meter will format the SD card.

## MEASUREMENT PROCEDURES

### Turning the Unit On/Off

1. Press **POWER** to turn the meter **on**.
2. Press and hold **POWER** for 2 seconds to turn the meter **off**.

### Selecting the Function

1. Press and hold **FUNC** to cycle through the options listed below. Release **FUNC** when you reach the desired function.
  - Light Meter  
“LigHt” appears on the LCD.
  - Type K/J thermometer  
“tP” appears on the LCD.

### Note...

The meter will default to the last function setting used when it is turned **off** and **on** again.

## MEASUREMENT PROCEDURES

### Light Meter

1. Press **POWER** to turn the meter **on**.
2. Plug the probe plug into the probe input socket.
3. Remove the sensor cover from the light sensor.
4. Press and hold **FUNC** to cycle through the options until "LigHt" appears on the LCD. Release the **FUNC** button.
5. While holding the sensor handle, point the light sensor directly toward (facing) the light source. The light measurement will appear on the LCD.

### **Note...**

This meter measures light in Lux or Foot Candles (Ft-cd). To change the light unit, press and hold **UNIT**. Release **UNIT** when the desired unit appears on the LCD.

## MEASUREMENT PROCEDURES

### Zero Adjustment

During light measurement, if the display does not show a value of 0 when the sensor cover is placed on the light sensor, zero adjustment is needed:

1. With the sensor cover on, press **ZERO** for longer than 3 seconds. A value of 0 will appear on the LCD.
2. Remove the sensor cover to resume normal measurement.

### Type K/J Thermometer

1. Press **POWER** to turn the meter **on**.
2. Press and hold **FUNC** to cycle through the options until "tP" appears on the LCD. Release the **FUNC** button.
3. Plug a thermocouple temperature probe (type K or J) into the

## MEASUREMENT PROCEDURES

thermometer socket. The temperature measurement will appear on the LCD along with “K” or “J” to indicate the thermocouple type.

### **Note...**

When using the meter for the first time, the meter will default to K type thermocouple. See page 16 for instructions on changing the thermocouple type.

### **Hold Function**

1. When measuring any parameter, press **HOLD** to freeze the reading on the display. “HOLD” will appear on the LCD.
2. Press **HOLD** again to release the hold function. “HOLD” will disappear from the LCD.

## MEASUREMENT PROCEDURES

### Maximum and Minimum

To record maximum and minimum readings:

1. When measuring any parameter, press **REC** to begin recording the maximum and minimum values. "REC" appears on the LCD.
2. Press **REC**. The maximum value and "REC MAX" will appear on the LCD.
3. Press **REC**. The minimum value and "REC MIN" will appear on the LCD.
4. To delete the maximum or minimum value, press **HOLD**. "REC" appears on the LCD and the meter will begin recording the maximum and minimum values again.
5. To exit the min/max function, press and hold **REC** for 2 seconds. The meter will return to



## MEASUREMENT PROCEDURES

Normal Mode.

### **Note...**

The meter cannot be turned **off** from the memory record function. Exit the function, then press and hold **POWER** to turn the meter **off**.

### **Backlight**

1. The backlight turns **on** automatically when the meter is turned **on**.
2. Press  to turn the backlight off.
3. Press  to turn the backlight on.

### **View Real Time Clock**

To view the time function during normal measurement (not during datalogging):

1. Press **TIME CHECK**. The time information (Year, Month/Date,



## **MEASUREMENT PROCEDURES**

Hour/Minute) will appear on the lower display of the LCD.

### **View Sampling Time**

To view the sampling time function during normal measurement (not during datalogging):

1. Press **SAMPLING CHECK**. The sampling time (in seconds) will appear on the lower display of the LCD.

## DATALOGGER

### Preparing the Datalogger

1. Insert the SD card into the SD card socket on the bottom of the meter, ensuring that the front of the SD card faces the back of the meter.
2. Format the SD card as needed (see page 17).
3. Set the clock if using the meter for the first time (see page 13).
4. Set the decimal type if using the meter for the first time (see page 14.)

### Auto Datalogging

1. Set the sampling time to  $\geq 1$  second. Refer to page 16.
2. Press **REC**. "REC will appear on the LCD.

## DATALOGGER

3. Press **LOGGER**. “REC” will flash on the LCD and the alarm will sound while the measurement data and time information are saved to memory.
4. To pause datalogging, press **LOGGER**. The meter will temporarily stop recording and “REC” will stop flashing on the LCD. Press **LOGGER** again to resume datalogging. “REC” will flash on the LCD.
5. To finish datalogging, pause the datalogger. Press **REC** for 2 seconds or longer. “REC” will disappear from the LCD to indicate that datalogging has ended.

### **Note...**

To enable/disable the touch-tone feature, see page 15.

## DATALOGGER

### Manual Datalogging

1. Set the sampling time to 0 seconds. Refer to page 16.
2. Press **REC**. “REC will appear on the LCD.
3. Press **LOGGER**. “REC” will flash on the LCD and the alarm will sound while the measurement data and time information are saved to memory. The position (location) number will appear on the bottom of the LCD and will also be recorded on the SD card.

### Note...

To enable/disable the touch-tone feature, see page 15. To change the position number, press ▼. The position number will flash on the LCD. Press ▲ or ▼ to set the position number (from 1 to 99). To indicate the position location, P x (x = 1 to 99) will appear on the lower display. After selecting the position number, press **ENTER** to confirm.

## **DATALOGGER**

4. To finish datalogging, press **REC** for longer than 2 seconds. "REC" will disappear from the LCD to indicate that datalogging has ended.

### **SD Card Data Structure**

1. The first time a SD card is used in this meter, a folder LXA01 will be generated.
2. If the datalogger is being used for the first time, a new file LXA01001.XLS will be generated under the route LXA01\. After exiting the datalogger and executing the function again, the data is saved to the LXA01001.XLS file until the data reach 30,000 data columns. A new file will then be generated (i.e., LXA01002.XLS).
3. The folder LXA01\ will hold 99 files. A new route (i.e., LXA02\) will be generated when exceeding 99 files.

## DATALOGGER


4. The file's route structure:

```
LXA01\  
    LXA01001.XLS  
    LXA01002.XLS  
    .....  
    LXA01099.XLS  
LXA02\  
    LXA02001.XLS  
    LXA02002.XLS  
    .....  
    LXA02099.XLS  
LXAXX\  
    .....  
    .....
```

**Note...**

XX: Maximum value is 10.

## BATTERY REPLACEMENT

This meter uses six AA (1.5 V, UM3) batteries. When the low battery indicator  appears on the LCD, battery replacement is needed. After the icon appears on the LCD, in-spec measurement can still be made for several hours before becoming inaccurate.

1. Press and hold **POWER** for 2 seconds to turn the meter **off**.
2. Unscrew the battery cover and remove from the meter.
3. Remove the old batteries and replace with six new AA batteries, ensuring correct polarity.
4. Replace the battery cover. Tighten the screws on the battery cover to secure to the meter.

## TROUBLESHOOTING

### System Reset

If the meter is not functioning properly (i.e., the system is frozen and the keypad is non-operational), reset the meter:

1. Press **POWER** to turn the meter **on**.
2. Use a small tool (such as a disassembled paperclip or a pin) to press the **RESET** button (located on the right side of the meter under the protective black cover). Wait a few seconds for the meter to restart.



## PC CONNECTION

To save data from the SD card to a PC (using Excel software):

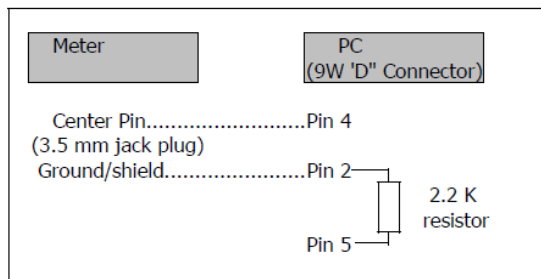
1. After datalogging is complete, remove the SD card from the meter's SD card socket.
2. Insert the SD card into the computer's SD card slot (if built into the computer) or into a SD card adapter (ensuring that the adapter is connected to the computer).
3. Turn the computer **on** and run the Excel program.
4. Download the saved data file (i.e., LXA01001.XLS, LXA01002.XLS) from the SD card to the computer. The data will appear in the Excel software screen and can then be used in Excel to create graphs, etc.



## PC CONNECTION

The data output is a 16 digit stream that can be utilized for the user's specific application.

A RS232 lead with the following connection will be required to link the meter with the PC serial port:



The 16 digit data stream will display in the following format:

D15 D14 D13 D12 D11 D10 D9 D8  
D7 D6 D5 D4 D3 D2 D1 D0

Each digit indicates the following status:

## PC CONNECTION

DO	End word		
D1 & D8	Display reading, D1 = LSD, D8 = MSD For example: If the display reading is 1234, then D8 to D1 is 00001234		
D9	Decimal point (DP) position from right to left 0 = No DP, 1 = 1 DP, 2 = 2 DP, 3 = 3DP		
D10	Polarity, 0 = Positive, 1 = Negative		
D11 & D12	Annunciator for Display		
	°C = 01	°F = 02	% RH = 04
D13	When send the upper display data = 1 When send the lower display data = 2		
D14	4		
D15	Start word		

## PC CONNECTION

RS232 Format: 9600, N, 8, 1

Baud rate	9600
Parity	No parity
Data bit no.	8 Data bits
Stop bit	1 Stop bit

## OPTIONAL ACCESSORIES

800060~77	Type K Thermocouple Probes
840057	RS232 Computer Cable
840059	2GB SD Card
840090	Water Resistant Instrument Pouch
840093	Field Tripod
840094	USB Computer Cable
840097	AC Adaptor
850080	Software

## SPECIFICATIONS

### General

<b>Circuit</b>	Custom one-chip of microprocessor LSI circuit
<b>Display</b>	LCD size: 52 mm x 38 mm Backlight function
<b>Measurement Unit</b>	Light: Lux or Foot Candle Type K/J Thermometer: °C or °F
<b>Light Sensor Structure</b>	Photo diode and color correction filter, spectrum designed to meet CIE
<b>Temperature Compensation</b>	Automatic temperature compensation for the humidity function and the type K/J thermometer
<b>Sampling Time of Display</b>	Approximately 1 second
<b>Data Output</b>	RS232/USB PC computer interface
<b>Memory Card</b>	SD card 1 GB to 16 GB
<b>Operating Temperature</b>	0 ~ 50°C

## SPECIFICATIONS

<b>Operating Humidity</b>	< 85%RH
<b>Power Supply</b>	Alkaline or heavy duty DC 1.5 V battery (UM3, AA) x 6 pieces
	DC 9V adapter input (AC/DC power adapter is optional)
<b>Power Current</b>	Normal Operation (without use of the datalogger or backlight): Approximately DC 6.5 mA
	Datalogger Operation (backlight is off): Approximately DC 30 mA
	If the backlight is on, the power consumption will increase by approximately 16 mA.
<b>Dimensions</b>	177 x 68 x 45 mm 7 x 2 ¾ x 2"
<b>Weight</b>	489 g (1 lb)



## SPECIFICATIONS

The following specifications tests were performed in an ambient temperature of  $23 \pm 5^{\circ}\text{C}$ :

### Light

Unit	Range	Maximum In-Range Display
Lux (Auto Range)	2,000 Lux	0 ~ 1,999 Lux
	20,000 Lux	1,800 ~ 19,990 Lux
	100,000 Lux	18,000 ~ 99,900 Lux
Foot Candles (Auto Range)	200 Ft-cd	0 ~ 186 Ft-cd
	2,000 Ft-cd	167 ~ 1,860 Ft-cd
	10,000 Ft-cd	1,670 ~ 9,290.7 Ft-cd

## SPECIFICATIONS

Range	Resolution	Accuracy
2,000 Lux	1 Lux	± (4% reading + 2 dgt)
20,000 Lux	10 Lux	
100,000 Lux	100 Lux	
200 Ft-cd	0.1 Ft-cd	
2,000 Ft-cd	1 Ft-cd	± (4% reading + 2 Ft-cd)
10,000 Ft-cd	10 Ft-cd	± (4% reading + 20 Ft-cd)

**Note...**

The accuracy for the specifications shown above was tested with a standard parallel light tungsten lamp of 2856 K temperature.

## SPECIFICATIONS

### Type K/J Thermometer

Sensor Type	Range	Resolution	Accuracy
Type K	-50.0 ~ 1300°C -50.1 ~ -100°C	0.1°C	± (0.4% reading + 0.5°C) ± (0.4% reading + 1°C)
	-58.0 ~ 2372°F -58.1 ~ -148°F	0.1°F	± (0.4% reading + 1°F) ± (0.4% reading + 1.8°F)
Type J	-50.0 ~ 1200°C -50.1 ~ -100°C	0.1°C	± (0.4% reading + 0.5°C) ± (0.4% reading + 1°C)
	-58.0 ~ 2192°F -58.1 ~ -148°F	0.1°F	± (0.4% reading + 1°F) ± (0.4% reading + 1.8°F)

## WARRANTY

Sper Scientific warrants this product against defects in materials and workmanship for a period of five (5) years from the date of purchase, and agrees to repair or replace any defective unit without charge. If your model has since been discontinued, an equivalent Sper Scientific product will be substituted if available. This warranty does not cover probes, batteries, battery leakage, or damage resulting from accident, tampering, misuse, or abuse of the product. Opening the meter to expose its electronics will void the warranty. To obtain warranty service, ship the unit postage prepaid to:

SPER SCIENTIFIC LTD  
7720 E Redfield Rd, Suite 7  
Scottsdale, AZ 85260

The defective unit must be accompanied by a description of the problem and your return address. Register your product online at [www.sperscientific.com](http://www.sperscientific.com), or return your warranty card within 10 days of purchase.



Rev. 1/28/2011